

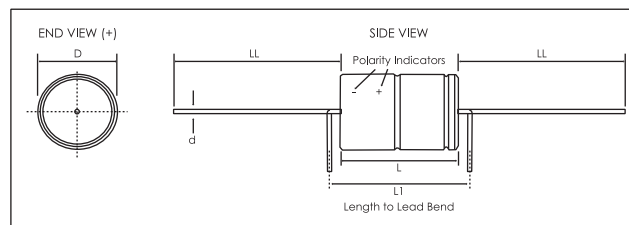
- 2000 hours at +150°C
- Very high ripple current capability
- High vibration stability
- AEC-Q200 automotive qualified, RoHS Compliant



Items	Characteristics		
Operating Temperature Range (°C)	-40 ~ +150		
Voltage Range (V)	25 ~ 63		
Capacitance Range (μF)	250 ~ 4700		
Capacitance Tolerance (20°C,100Hz)	-10/+30%,(± 20% select values)		
Leakage Current (μA)	After 5 minutes at 20°C application of rated voltage, leakage current is not more than 0.003CV+4.0 . C: Nominal Capacitance(μF) V: Rated Voltage(V)		
Equivalent Series Resistance (20°C, 100Hz/100kHz)	Less than values shown in the standard ratings.		
Load Life	Ripple Current: Maximum ripple current specified in the standard ratings. Voltage: The sum of DC voltage and the peak AC voltage must not exceed the rated voltage of capacitor.		
	D(mm)	+125°C Life Time (hours)	+150°C Life Time (hours)
	16	6300	1500
	18/20	8400	2000
	Capacitance Change: Within 15% of the initial value. Equivalent Series Resistance: Not more than 200% of the initial value. Leakage Current: Not more than the initial specified value. (All specifications should be test at +20°C Life ambient temperature.)		
Shelf Life	5000 hours at +105°C or 10 years at +40°C 0 VDC		
Vibration Test	Procedure: Displacement amplitude max.1.5mm, acceleration max.20 g, duration 3×2h, frequency range 10 ~ 2000 Hz (capacitor clamped by body). Requirements: No leakage of electrolyte or other visible damage. Deviations in capacitance from initial value must not exceed ΔC/C < 5%.		
Standards	IEC 60384-4, AEC-Q200		

AXIAL/CROWN

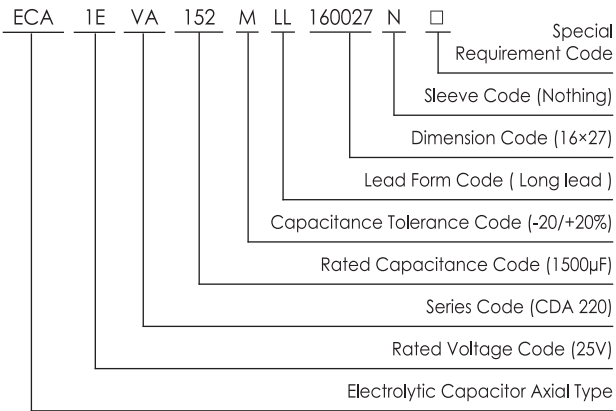
Dimensions mm



Dimension Code	D	L	L1	d	Bulk LL	Approximate Weight (g)
	±0.5	±1.0	Min.	±0.03	-2/+2	
160027	16	26.5	33	1.0	40	8
160035	16	34.5	41	1.0	40	11
200027	20	26.5	33	1.0	40	13
200035	20	34.5	41	1.0	40	20
200043	20	42.5	49	1.0	40	24

Note: L1 is Jianghai's recommendation for minimum distance between symmetrical lead bend.

Part Number System (Ex:25V1500μF)



Ripple Current Coefficient

Frequency (Hz)	100	300	1K	5K	100K
Coefficient	0.35	0.57	0.80	1.00	1.04

Ratings for CDA 220 Series

U _r Code	Rated Capacitance	Max ESR				Ripple Current					Size ΦD x L	P/N
						Max			Rated	Max		
		20°C, 100Hz	20°C, 100Hz	20°C, 100kHz	125~150°C, 5~100kHz	125°C, ≥5kHz	140°C, ≥5kHz	150°C, ≥5kHz	125°C, ≥5kHz	125°C, ≥5kHz		
(V)	(μF)	(mΩ)	(mΩ)	(mΩ)	(Arms)1*	(Arms)1*	(Arms)1*	(Arms)	(Arms)	(mm)	-	
25 (1E)	1500	78	42	18.4	13.9	8.8	3.9	4.8	6.1	16x27	ECA1EVA152M □□ 160027	
	2200	56	31	14.3	15.8	10.0	4.5	5.8	7.4	16x35	ECA1EVA222M □□ 160027	
	2200	61	36	19.0	16.6	10.5	4.7	5.2	6.6	20x27	ECA1EVA222Q □□ 200027	
	3300	43	26	14.3	19.1	12.1	5.4	6.4	8.1	20x35	ECA1EVA332Q □□ 200035	
	4700	32	20	11.8	21.0	13.3	5.9	7.4	9.3	20x43	ECA1EVA472Q □□ 200043	
40 (1G)	800	108	43	19.2	13.6	8.6	3.9	4.7	5.9	16x27	ECA1GVA801Q □□ 160027	
	1200	74	31	14.8	15.5	9.8	4.4	5.7	7.2	16x35	ECA1GVA122Q □□ 160035	
	1500	68	33	17.8	17.1	10.8	4.8	5.4	6.8	20x27	ECA1GVA152Q □□ 200027	
	2200	49	25	13.9	19.4	12.2	5.5	6.5	8.2	20x35	ECA1GVA222Q □□ 200035	
	2700	39	20	12.1	20.7	13.1	5.9	7.3	9.2	20x43	ECA1GVA272Q □□ 200043	
63 (1J)	250	233	59	32.4	10.5	6.6	3.0	3.6	4.5	16x27	ECA1JVA251Q □□ 160027	
	370	160	42	23.9	12.2	7.7	3.5	4.5	5.7	16x35	ECA1JVA371Q □□ 160035	
	470	134	41	25.9	14.2	9.0	4.0	4.5	5.7	20x27	ECA1JVA471Q □□ 200027	
	680	94	30	19.7	16.3	10.3	4.6	5.6	7.0	20x35	ECA1JVA681Q □□ 200035	
	900	74	25	16.6	17.7	11.2	5.0	6.3	7.9	20x43	ECA1JVA901Q □□ 200043	

Note: 1* Capacitor-mounted with low thermal resistance path (heat-sink).