

干式交流滤波电容器 (定制品) AC filter capacitor (Customized products)

■ 外形图 Outline Drawing



Fig. 1

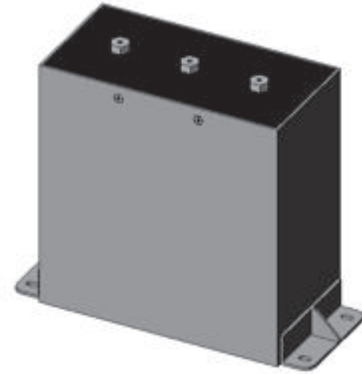


Fig. 2

外壳形状以及电极引出方式仅供用户参考，用户可以按实际需求进行定制，定制包括外形样式以及容量、电压范围；具体要求可以直接与我们联系

The body shape and the electrode terminals are only for users reference, users can customize according to the actual demand, customization include appearance style, capacity and voltage range; Contact with us directly if any specific requirements.

■ 特点

- 应用于交流滤波电路中
- 等效串联电阻小，能承受大的谐波电流
- 自感小
- 有自愈性
- 寿命长
- 树脂灌封

■ 应用场合

- 风能发电、太阳能发电用变频器上的交流滤波
- 交通工具，如：电动车和混合动力车的充电部分滤波
- 焊接设备，电梯，电机驱动

■ 技术参数 Technical data

| | |
|--|--|
| 引用标准 Reference Standard | GB/T 17702 (IEC 61071) |
| 气候类别 Climatic Category | 40/70/56 |
| 工作温度范围 Operating temperature range | -40°C ~ 70°C $\Theta_{hs} \leq 85^\circ\text{C}$ |
| 存储温度范围 Storage temperature range | -40°C ~ 85°C |
| 电容量允许偏差 Capacitance Tolerance | $\pm 5\%$ (J) , $\pm 10\%$ (K) |
| 额定均方根电压 Rated RMS Voltage(U_{rms}) | 230Vac ~ 850Vac (可根据用户需求 According to customer requirements) |
| 额定容量 Rated capacity(C_N) | 可根据客户需求 According to customer requirements |

■ Features

- Used in AC-Filter circuits
- Low ESR, high harmonic current handling capabilities
- Low L_s
- Self-healing property
- Long lifetime
- Filled with resin

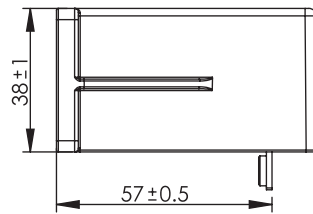
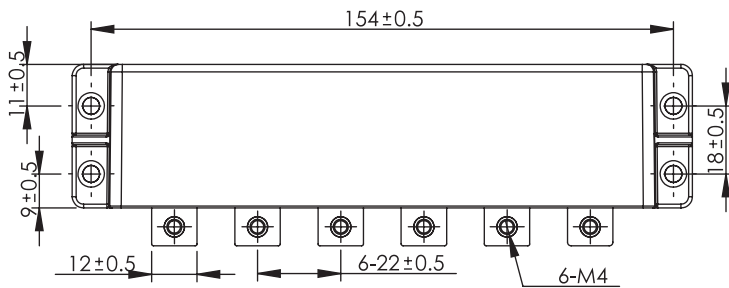
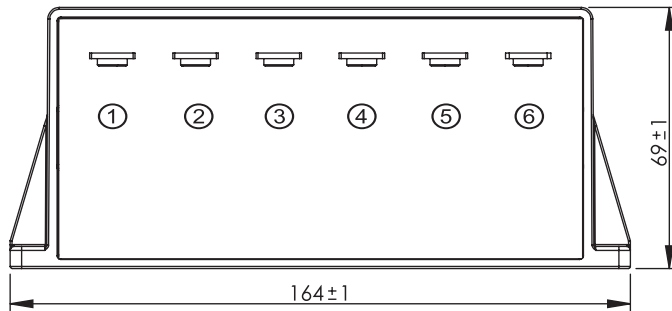
■ Applications

- Used in Inverters of wind power and solar power for AC-Filter
- Transportation: For HEV or EV charging circuit
- Welders, Elevators, Motor Driver systems

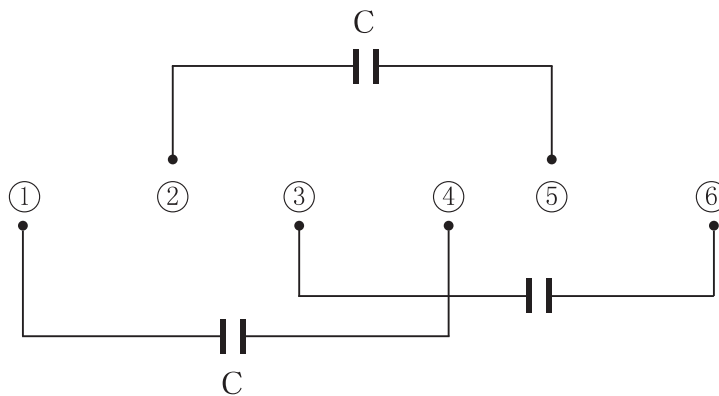


C6D

| | | |
|---|--|--|
| 耐电压 Voltage Proof | 极间 Between Terminals: | 1.5U _N 或 2.15U _{rms} (10s, 20°C ± 5°C) |
| | 极壳之间 Between Terminals And Case: | 4 000Vac(10s, 50Hz, 20°C ± 5°C) |
| 介质损耗角正切 Dielectric dissipation factor (tan δ _d) | 2 × 10 ⁻⁴ | |
| 绝缘电阻 Insulation Resistance (IR × C _N) | ≥ 5 000s (20°C ,100V) | |
| 保护等级 Degree of protection | IP00, indoor mounting | |
| 预期寿命 Expected Lifetime | 60 000h @ U _{rms} , Θ _{hs} <70°C | |
| 失效率 Failure rate | 300FIT | |
| 最高海拔 Max Altitude | 2 000m | |



Max Torque of Installation: 2N·m



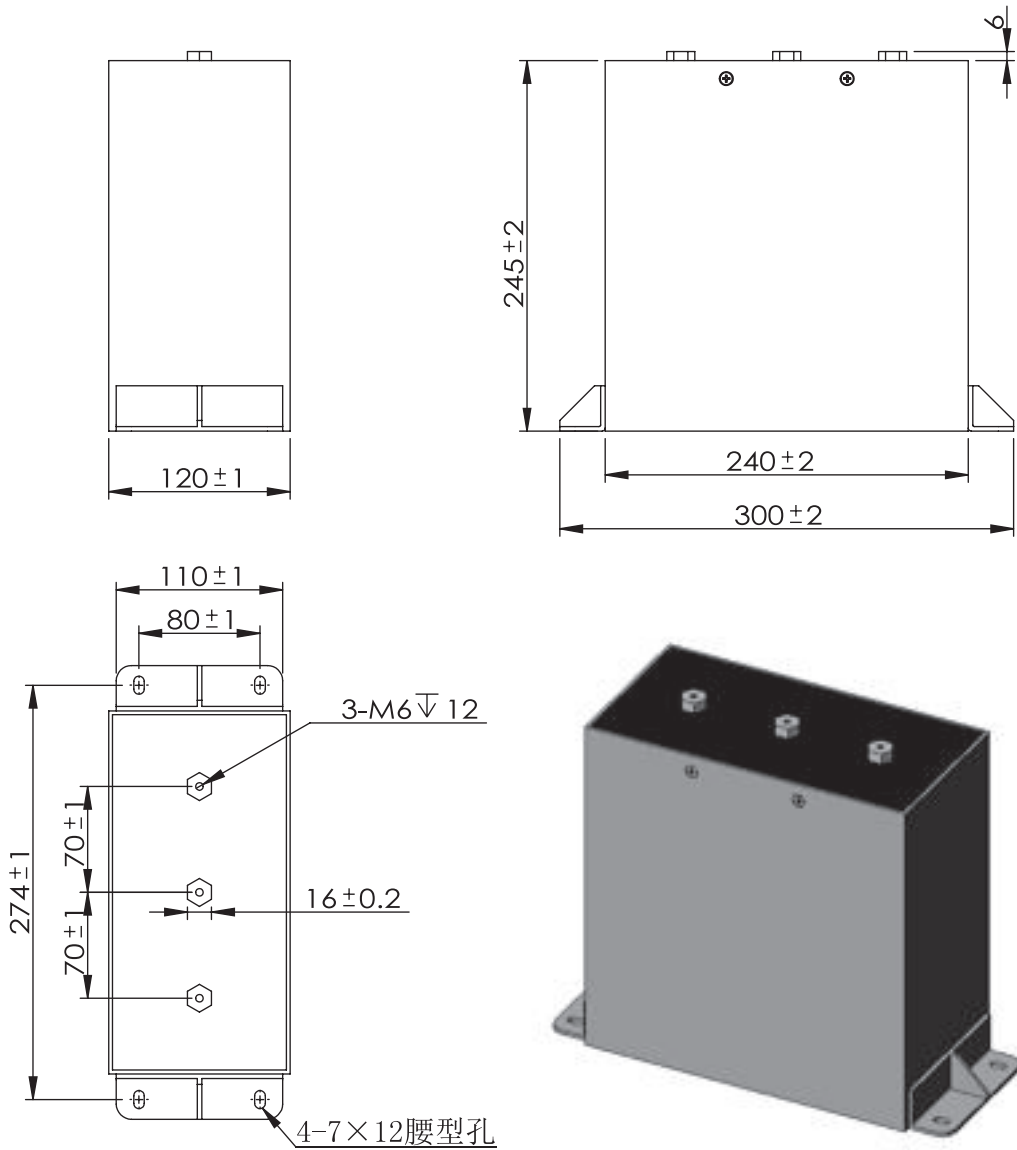
| C _N (μF) | U _{rms} (VAC) | ESR @1kHz (mΩ) | R _{th} (K/W) | I _{max} (A) | Î (kA) | Î _s (kA) | Case | M (kg) | Part number |
|------------------------|------------------------|----------------------|--------------------------|-------------------------|------------|-------------------------|---------|-----------|-----------------|
| 3 × 25 | 310 | 3 × 5.1 | 6.7 | 3 × 15 | 0.75 | 2.25 | Plastic | 0.6 | C6DQ3256K000002 |

* “R_{th}” 是指自然冷却条件下，电容器热点到环境的热阻。

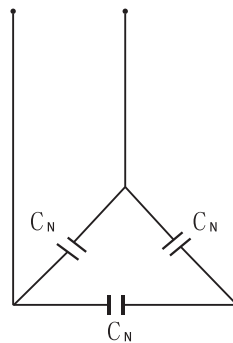
“R_{th}” = R_{th} between hotspot and ambient on natural cooling condition.

注：此定制产品适用于电压小于250Vac的滤波系统。

This customized part is suitable for mains voltage is less than 250Vac 50/60Hz.



Torque of Installation:5N·m



Circuit topology

| C_N (μF) | U_{rms} (VAC) | ESR @1kHz (m Ω) | R_{th} (K/W) | I_{max} (A) | \hat{I} (kA) | \hat{I}_s (kA) | Case | M (kg) | Part number |
|----------------------------|------------------------|-------------------------------|--------------------------|-------------------------|-------------------|---------------------|----------|-----------|-----------------|
| 3 × 200 | 500 | 3 × 0.6 | 1.0 | 3 × 75 | 4.8 | 14.5 | Aluminum | 9.6 | D6DH2207J4***** |

* “R_{th}” 是指自然冷却条件下，电容器热点到环境的热阻。
 “R_{th}” =R_{th} between hotspot and ambient on natural cooling condition.