

GFE/GFP-A

5.2 \varnothing x 20 mm

Fast-Acting Fuse



Agency Approvals

Agency	Ampere Rating
UL Listed	10mA - 10A
CSA Certified	10mA - 10A
PSE	GFE: 1A - 5A (125V / 250V) 6A - 10A (250V) GFP-A: 1A - 10A (125V / 250V)

Interrupting Rating

200mA - 10A:	10,000 amperes at 125V AC
200mA - 1A:	35 amperes at 250V AC
1.1A - 3.5A:	100 amperes at 250V AC
3.6A - 10A:	200 amperes at 250V AC

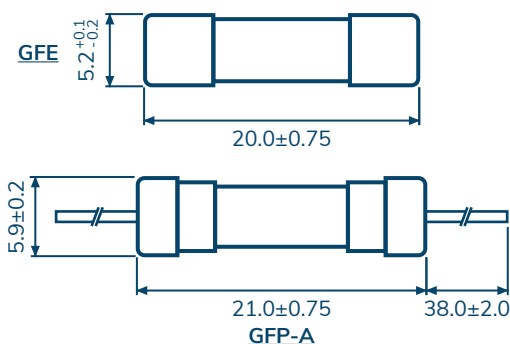
Product Characteristics

Operating Temperature	-55 °C to 125 °C
Material	Body: Glass Caps: Nickel Plated Brass
Leads Wire	\varnothing 0.8 mm 14A and less. \varnothing 1.0 mm for rating above 15A to 19A. \varnothing 1.2 mm for rating above 20A.

Packaging

Packaging Option	Quantity
Bulk	GFE: 1,000 pcs / box GFP-A: 500 pcs / box
On Axial Tape & Reel	1,000 pcs / box

Mechanical Dimensions (mm)



Electrical Characteristics

Ampere Rating	Opening Time		
	1 In	1.35 In	2 In
	MIN	MAX	MAX
200mA - 20A	4 hr	1 hr	5 sec

Catalog Number	Ampere Rating (A)	Voltage Rating (V)	Nominal Cold Resistance (Ohms)	Nominal Melting I ² t (A ² sec.)
GFE / GFP-A .200	200mA	250V	3.4980	0.0085
GFE / GFP-A .250	250mA		2.3610	0.0142
GFE / GFP-A .300	300mA		1.9400	0.0197
GFE / GFP-A .315	315mA		1.4960	0.0218
GFE / GFP-A .350	350mA		1.4466	0.0375
GFE / GFP-A .400	400mA		1.1030	0.0561
GFE / GFP-A .500	500mA		0.4195	0.0930
GFE / GFP-A .600	600mA		0.3262	0.1555
GFE / GFP-A .630	630mA		0.2853	0.2000
GFE / GFP-A .700	700mA		0.2370	0.2714
GFE / GFP-A .750	750mA		0.2107	0.3240
GFE / GFP-A .800	800mA		0.1905	0.3456
GFE / GFP-A 001	1A		0.1438	0.5940
GFE / GFP-A 1.25	1.25A		0.1029	1.1250
GFE / GFP-A 1.50	1.5A		0.0885	1.7820
GFE / GFP-A 1.60	1.6A		0.0757	2.0644
GFE / GFP-A 1.75	1.75A		0.0639	2.5110
GFE / GFP-A 002	2A		0.0588	3.2400
GFE / GFP-A 2.50	2.5A		0.0434	5.0400
GFE / GFP-A 003	3A		0.0394	7.9056
GFE / GFP-A 3.15	3.15A	0.0320	8.9303	
GFE / GFP-A 3.20	3.2A	0.0315	9.0909	
GFE / GFP-A 3.50	3.5A	0.0307	10.055	
GFE / GFP-A 004	4A	0.0288	17.510	
GFE / GFP-A 4.50	4.5A	0.0215	21.654	
GFE / GFP-A 005	5A	0.0188	25.799	
GFE / GFP-A 006	6A	0.0156	37.163	
GFE / GFP-A 6.30	6.3A	0.0152	40.692	
GFE / GFP-A 007	7A	0.0129	48.925	
GFE / GFP-A 7.50	7.5A	0.0125	59.474	
GFE / GFP-A 008	8A	0.0113	62.277	
GFE / GFP-A 009	9A	0.0099	98.450	
GFE / GFP-A 010	10A	0.0085	134.62	
GFE / GFP-A 012	12A	0.0073	212.89	
GFE / GFP-A 013	13A	0.0066	251.03	
GFE / GFP-A 015	15A	0.0052	327.32	
GFE / GFP-A 016	16A	0.0049	379.19	
GFE / GFP-A 018	18A	0.0039	482.92	
GFE / GFP-A 020	20A	0.0034	586.66	