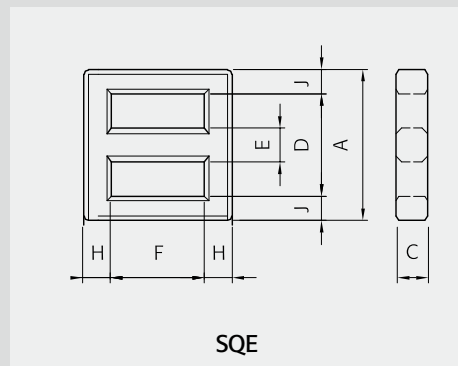
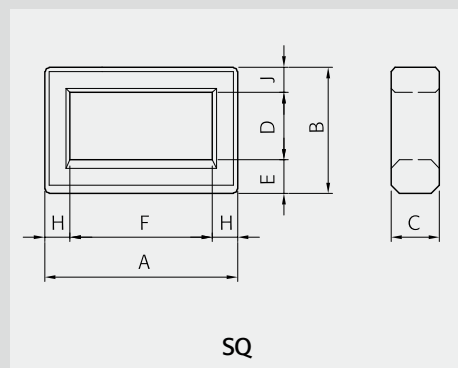
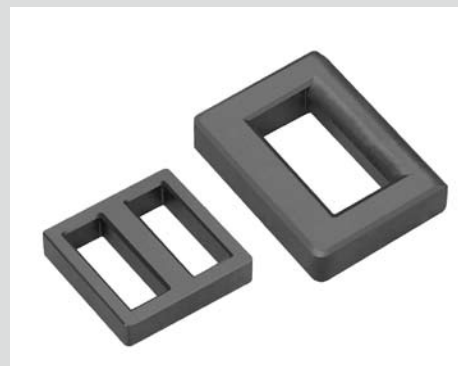


SQ, SQE CORES



Part No.	SQ1715S	SQ2014S	SQ2115S	SQ2116S	
Type	SQ	SQ	SQ	SQ	
Dimensions in mm	A	17.60 ±0.20	20.60 ±0.30	21.50 ±0.30	21.50 ±0.20
	B	15.00 ±0.20	14.10 ±0.25	14.90 ±0.20	15.80 ±0.25
	C	3.60 ±0.20	4.60 ±0.20	3.70 ±0.15	4.60 ^{+0.00} _{-0.20}
	D	4.55 ±0.20	7.25 min.	6.65 min.	7.00 ±0.20
	E	3.75 ±0.15	4.20 ±0.20	4.30 ±0.15	4.40 ±0.20
	F		15.70 min.	15.40 min.	15.30 ±0.20
	H	3.00 ±0.15	2.30 ±0.15	2.90 ±0.15	3.10 ±0.15
	J		2.40 ±0.15	3.70 ±0.15	

Core Set Parameters	C1(mm ⁻¹)	3.220	4.410	4.350	2.780
	Le(mm)	45.8	53.1	55.1	55.0
	Ae(mm ²)	14.2	12.0	12.6	19.8
	Ve(mm ³)	651	639	698	1088
	Ac(mm ²)				
	Aw(mm ²)	52.8	120.0	108.0	107.1
	W(g/set)	3.2	3.7	3.6	4.8

Electrical Characteristics	AL value	SM-50	1950	1400	1430	2260
		SM-60	2340	1710	1730	2710
		SM-70S	2930	2100	2150	3390
		SM-100	3900	2800	2870	4520
		SM-120	4700	3400	3400	5400

Note : 1) AL value
 - Unit : nH/N²
 - Measuring conditions : 1kHz, 0.1V, 100Ts, at 23°C
 - Tolerance : ±25% (SM-100, SM-120 : ±30%)

	SQ2215S	SQ4030S	SQE2020S	SQE2215S	SQE2222S	SQE2424S	SQE2626S	SQE2828S	SQE2930S
	SQ	SQ	SQE	SQE	SQE	SQE	SQE	SQE	SQE
A	21.50 ±0.30	40.70 ±0.40	20.10 ±0.40	21.50 ±0.30	23.50 ±0.30	24.20 ±0.50	26.00 ^{+0.40} _{-0.20}	28.45 ±0.55	29.00 ±0.40
B	14.90 ±0.20	30.80 ±0.40	20.10 ±0.40	14.90 ±0.20	22.00 ±0.30	24.20 ±0.50	26.00 ^{+0.40} _{-0.20}	28.45 ±0.55	30.00 ±0.40
C	4.50 ±0.20	8.70 ±0.30	4.40 ±0.20	4.50 ±0.20	3.80 ±0.20	4.00 ±0.30	4.50 ^{+0.10} _{-0.20}	5.00 ±0.30	5.00 ±0.30
D	7.60 min.	13.10 min.	15.70 min.	7.60 min.	19.40 ±0.20	19.00 min.	21.00 ^{+0.30} _{-0.20}	22.20 min.	22.60 min.
E	4.20 ±0.20	8.70 ±0.30	4.00 ±0.20	4.20 ±0.20	3.80 ±0.20	4.00 ±0.30	4.50 ±0.20	5.00 ±0.20	5.00 ±0.25
F	15.90 min.	26.60 min.	15.70 min.	15.90 min.	17.60 ±0.20	19.00 min.	21.00 ^{+0.30} _{-0.20}	22.20 min.	23.60 min.
H	2.65 ±0.15	6.90 ±0.20	2.00 ±0.20	2.65 ±0.15	2.20 ±0.15	2.40 ±0.15	2.50 ±0.15	2.90 ±0.15	3.00 ±0.20
J	2.80 ±0.20	8.60 ±0.25	2.00 ±0.20	2.80	2.05 ±0.15	2.40 ±0.15	2.50 ±0.15	2.90 ±0.15	3.00 ±0.20

C1(mm ⁻¹)	4.190	1.557	2.930	4.160	3.700	3.460	3.120	2.670	2.700
Le(mm)	56.2	104.0	50.5	56.1	57.2	60.8	66.0	71.1	74.3
Ae(mm ²)	13.4	67.1	17.2	13.5	15.5	17.5	21.1	26.6	27.5
Ve(mm ³)	754	7010	871	757	884	1060	1395	1890	2050
Ac(mm ²)			17.6	18.9	14.4	16.0	20.3	25.0	25.0
Aw(mm ²)	127.0	363.0	97.4	31.0	144.0	149.0	173.3	199.0	216.0
W(g/set)	4.1	35.3	4.3	4.2	4.3	5.4	6.8	10.0	10.5

AL value	SM-50	1450	3950	2150	1510	1700	1800	2010	2350	2350
	SM-60	1800	4840	2570	1810	2040	2180	2420	2820	2790
	SM-70S	2200	5800	3200	2270	2550	2700	3020	3600	3500
	SM-100	2900	7900	4300	3020	3400	3600	4030	4700	4650
	SM-120	3500	9500	5200	3600	4100	4300	4800	5600	5600