



TAI-SAW TECHNOLOGY CO., LTD.

No. 3, Industrial 2nd Rd., Ping-Chen Industrial District,
Taoyuan, 324, Taiwan, R.O.C.

TEL: 886-3-4690038 FAX: 886-3-4697532

E-mail: tstsales@mail.taisaw.com Web: www.taisaw.com

Product Specifications Approval Sheet

Product Description: SAW Filter 315MHz SMD3.8X3.8mm

TST Parts No.: TA0301A

Customer Parts No.: _____

Customer signature required
Company: _____
Division: _____
Approved by : _____
Date: _____

Checked by: _____ Anne Chen *Anne Chen*

Approval by: _____ Andy Yu *Andy Yu*

Date: _____ 2019/07/22

1. Customer signed back is required before TST can proceed with sample build and receive orders.
2. Orders received without customer signed back will be regarded as agreement on the specifications.
3. Any specifications changes must be approved upon by both parties and a new revision of specifications shall be released to reflect the changes.

TST TAI-SAW TECHNOLOGY CO., LTD.

No. 3, Industrial 2nd Rd., Ping-Chen Industrial District,
Taoyuan, 324, Taiwan, R.O.C.

TEL: 886-3-4690038 FAX: 886-3-4697532

E-mail: tstsales@mail.taisaw.com Web: www.taisaw.com

SAW Filter 315 MHz

MODEL NO.: TA0301A

REV. NO.:4.0

A. MAXIMUM RATING:

1. Input Power Level: 10 dBm
2. DC voltage: 6 V
3. Operating Temperature: -40°C to +125°C
4. Storage Temperature: -40°C to +125°C
5. Moisture Sensitivity Level: Level 1(MSL1)

RoHS Compliant
Lead free
Lead-free soldering

Electrostatic Sensitive Device

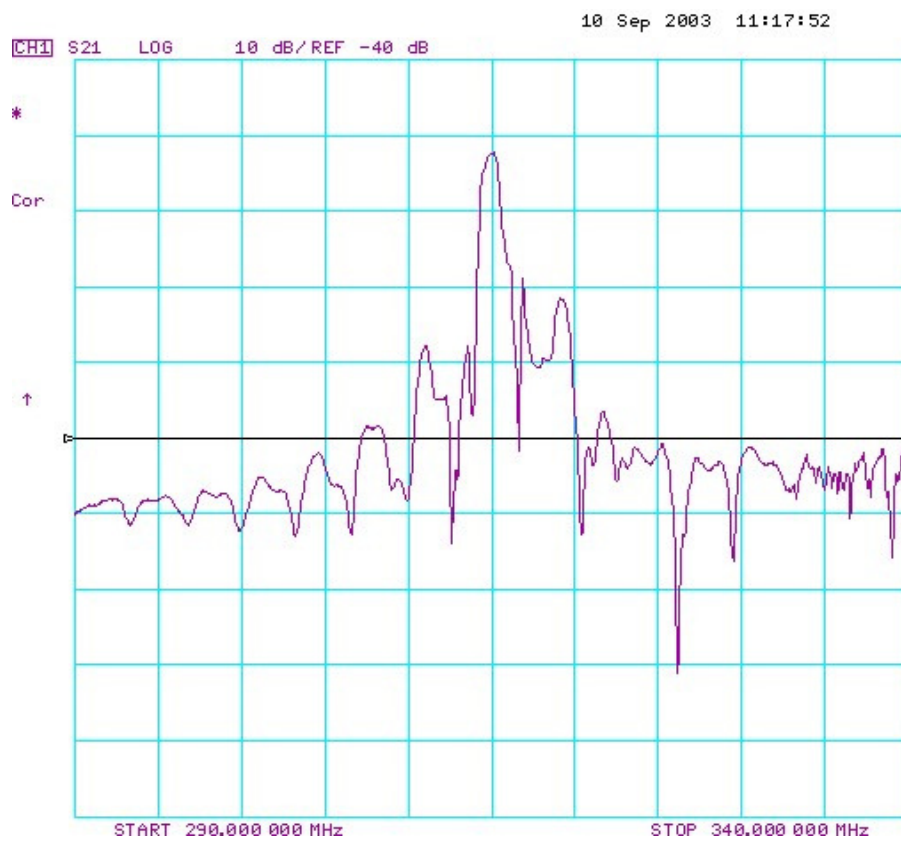
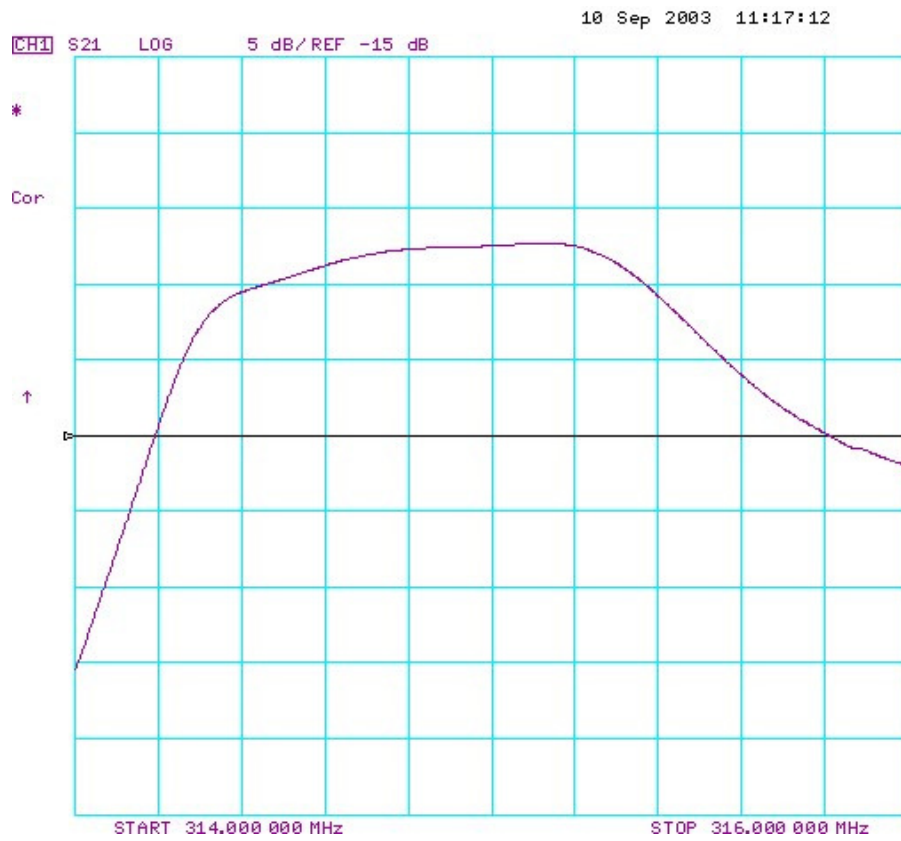
B. ELECTRICAL CHARACTERISTICS:

TA= -40°C to +95°C

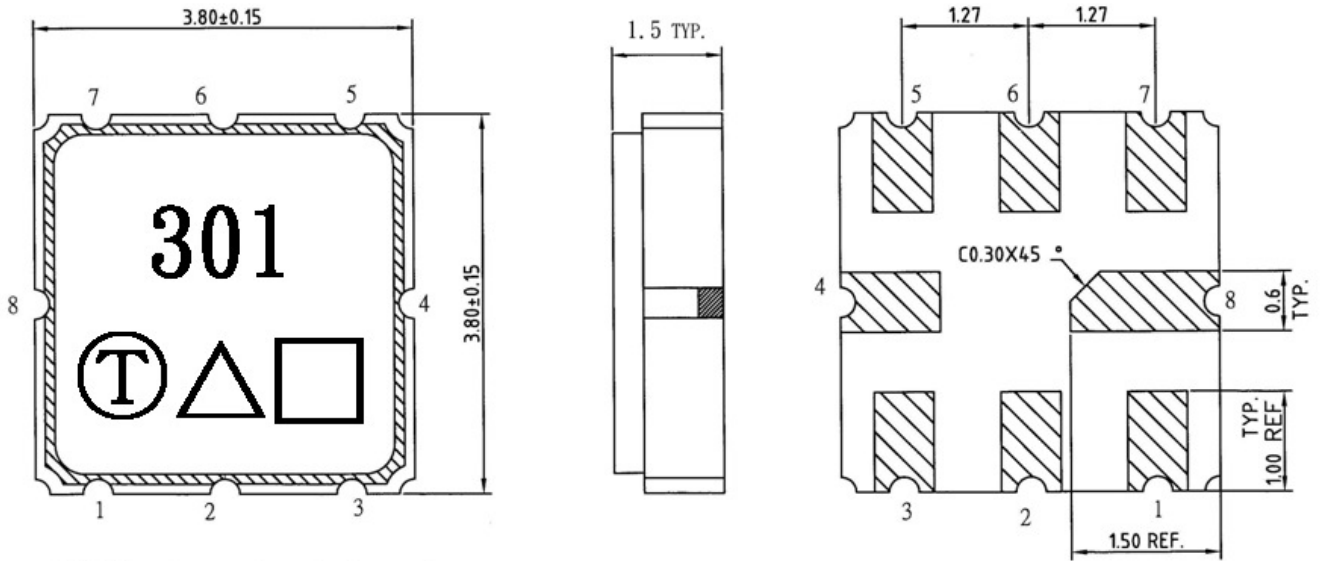
Item	Min.	Typ.	Max.	Note
Center frequency F_c (MHz)	-	315	-	1
Minimum I.L. (314.82~315.22 MHz) (dB) IL_{min}	-	2.2	4.0	
Pass band (relative to IL_{min})				
314.77~315.2 MHz (dB)	-	1.5	3.0	1
314.71~315.26 MHz (dB)	-	2.0	6.0	
Pass bandwidth (relative to IL_{min}) BW_3 (KHz)	800	920	-	
Attenuation :(relative to IL_{min}) (dB)				
10~270 MHz (dB)	45	50	-	
270~309 MHz (dB)	30	35	-	1
309~313.94 MHz (dB)	15	20	-	
316~335 MHz (dB)	10	15	-	
335~400 MHz (dB)	35	40	-	
400~1000 MHz (dB)	45	50	-	
Impedance at F_c ; Input $Z_{IN}=R_{IN}/C_{IN}$	373Ω // 5.0 pF			
Output $Z_{OUT}=R_{OUT}/C_{OUT}$	373Ω // 5.0 pF			

Note1. The standard definitions is in JIS C 6703

C. FREQUENCY CHARACTERISTICS:



D. OUTLINE DRAWING:



- #1 : Input or Input Ground
- #2 : Input Ground or Input
- #5 : Output
- #6 : Output Ground
- #4、8 : Case Ground
- #3、7 : Ground
- △ : Year code
- : Date code
- Unit : mm

Product / Year Code

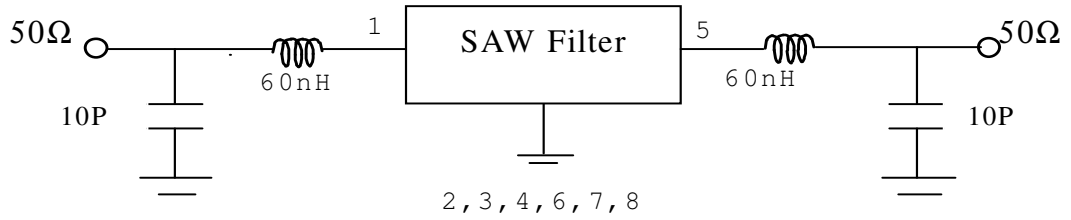
Year	2019	2020
	2021	2022
Product Code	A	a

Week Code Table

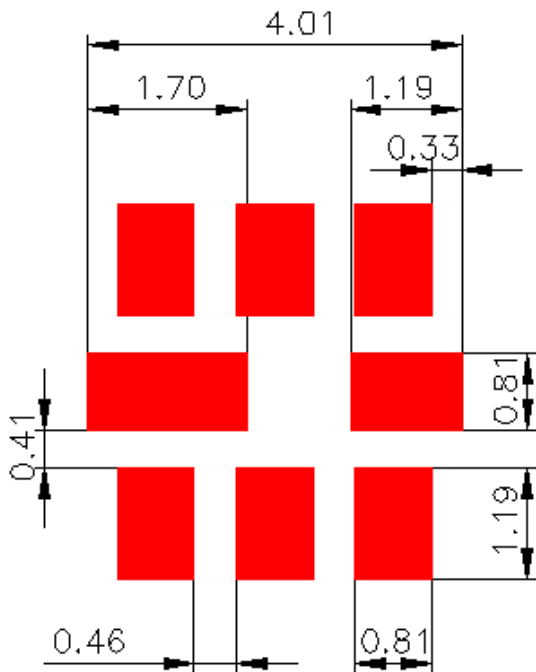
WK01	WK02	WK03	WK04	WK05	WK06	WK07	WK08	WK09	WK10	WK11	WK12	WK13
A	B	C	D	E	F	G	H	I	J	K	L	M
WK14	WK15	WK16	WK17	WK18	WK19	WK20	WK21	WK22	WK23	WK24	WK25	WK26
N	O	P	Q	R	S	T	U	V	W	X	Y	Z
WK27	WK28	WK29	WK30	WK31	WK32	WK33	WK34	WK35	WK36	WK37	WK38	WK39
a	b	c	d	e	f	g	h	i	j	k	l	m
WK40	WK41	WK42	WK43	WK44	WK45	WK46	WK47	WK48	WK49	WK50	WK51	WK52
n	o	p	q	r	s	t	u	v	w	x	y	z

E. MEASUREMENT CIRCUIT:

HP Network analyzer

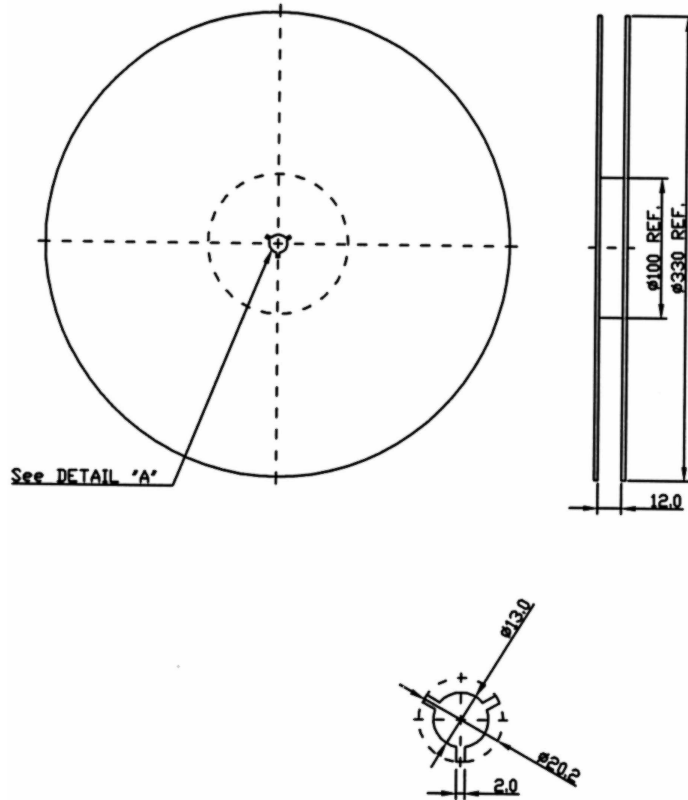


F. PCB FOOTPRINT:

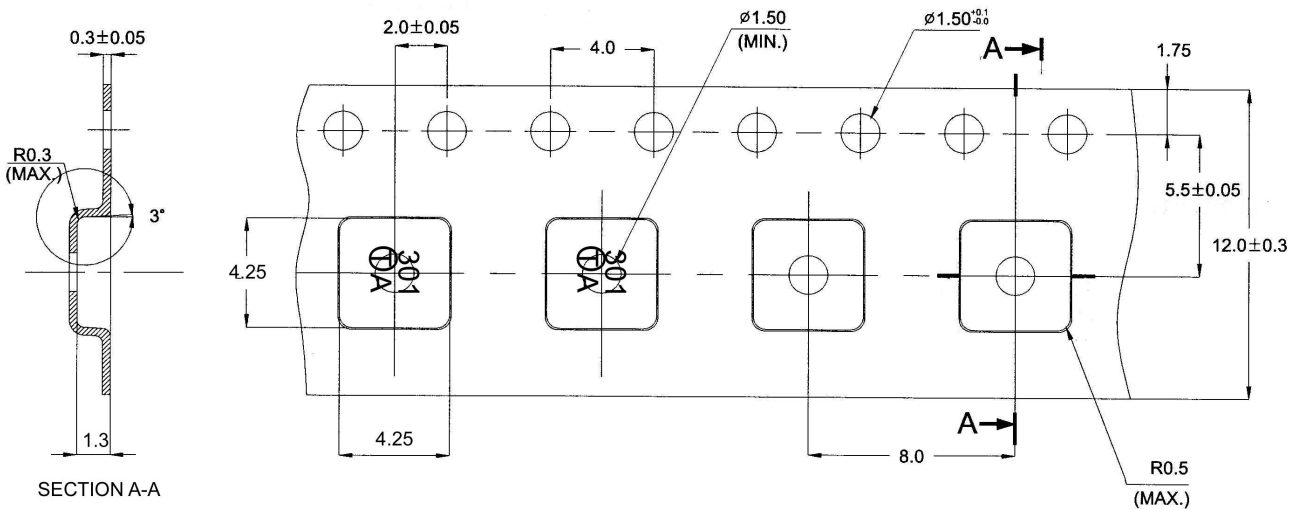


G. PACKING:

1. REEL DIMENSION (Please refer to FR-75D10 for packing quantity)



2. TAPE DIMENSION



H. RECOMMENDED REFLOW PROFILE:

1. Preheating shall be fixed at 150~180°C for 60~90 seconds.
2. Ascending time to preheating temperature 150°C shall be 30 seconds min.
3. Heating shall be fixed at 220°C for 50~80 seconds and at 260°C +0/-5°C peak (20~40sec).
4. Time: 2 times.

