

SAW Resonator 916.5 MHz

MODEL NO.: TC0154A

REV. NO.:1

A. FEATURES:

1. 1-Port Resonator.

B. MAXIMUM RATING:

1. Input Power Level: 0 dBm

2. DC voltage: 12 V

3. Operating Temperature: -40°C to +85°C

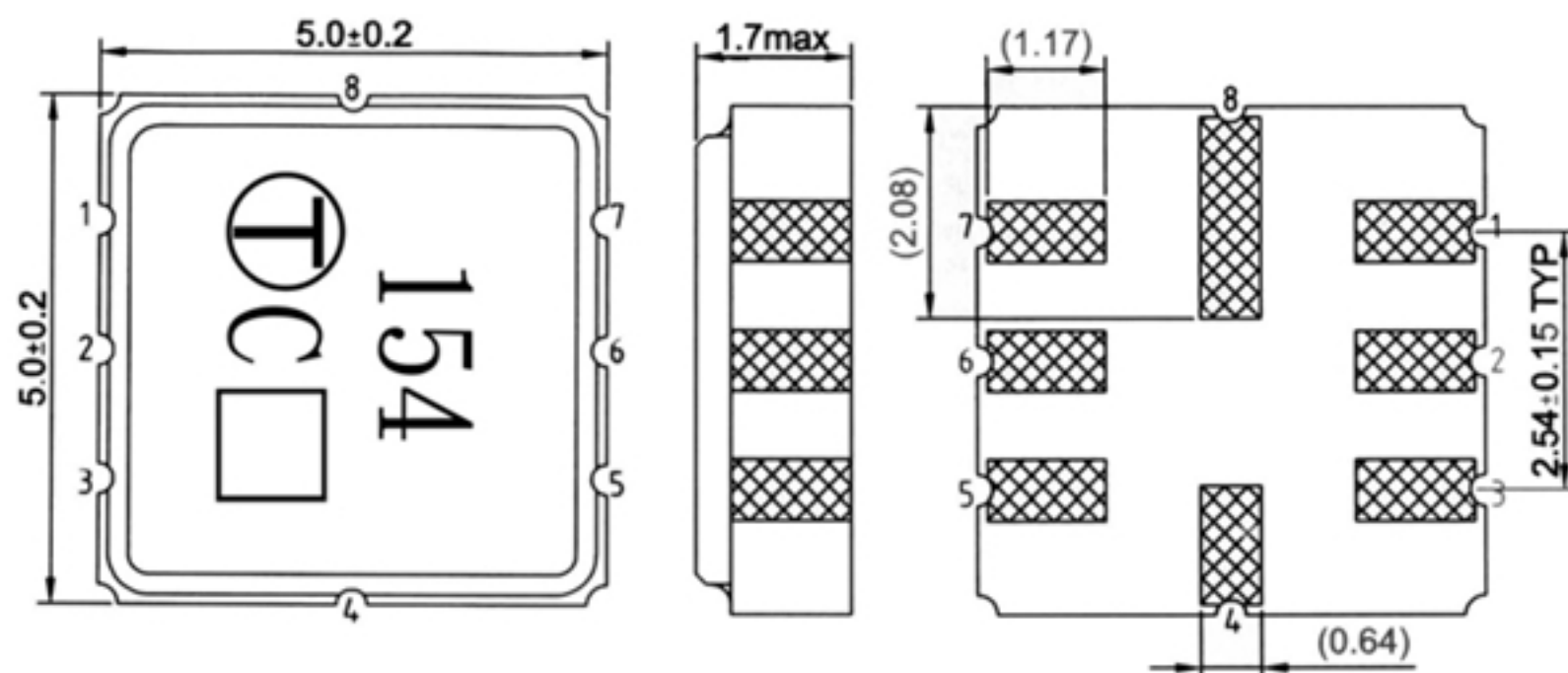
4. Storage Temperature: -40°C to +85°C

C. ELECTRICAL CHARACTERISTICS:

Characteristic	Units	Minimum	Typical	Maximum
Center frequency Fr	MHz	916.425	916.5	916.575
Insertion Loss IL	dB	-	1.2	2.5
Unloaded Quality factor Q_U		6000	8000	
Loaded Quality factor Q_L			1000	
Motional capacitance C1	fF	-	1.31	-
Motional inductance L1	μ H	-	22.96	-
Motional resistance R1	Ohm	-	17.38	-
Parallel capacitance Co	pF	-	2.53	-
Temp.coeff.	ppm/c*2	-	0.032	-
Turnover T_o	deg.C	25	40	55
Package size		SMD 5X5X1.4mm		

RoHS Compliant
Lead free
Lead-free soldering

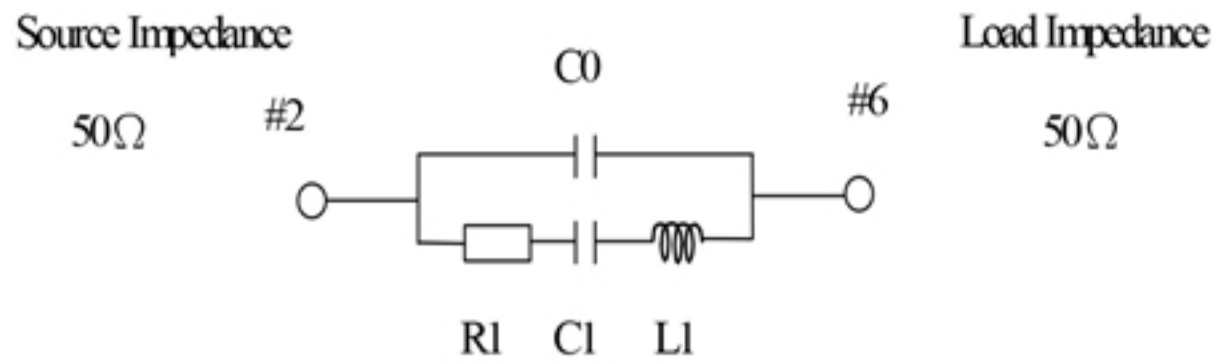
D. OUTLINE DRAWING:



#2 : Input or Output
#6 : Output or Input
#4、8 : Case Ground
#1、3、5、7 : Ground
□ : Date code
Unit : mm

E. EQUIVALENT CIRCUIT:

One-Port Resonator:



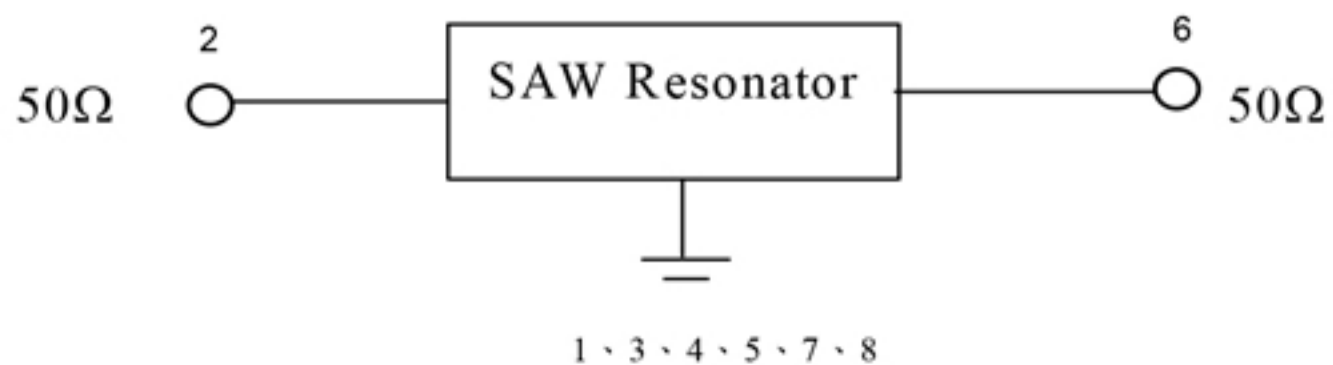
F. FREQUENCY CHARACTERISTICS:



G. TEST CIRCUIT:

Network analyzer

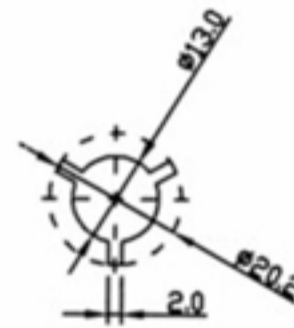
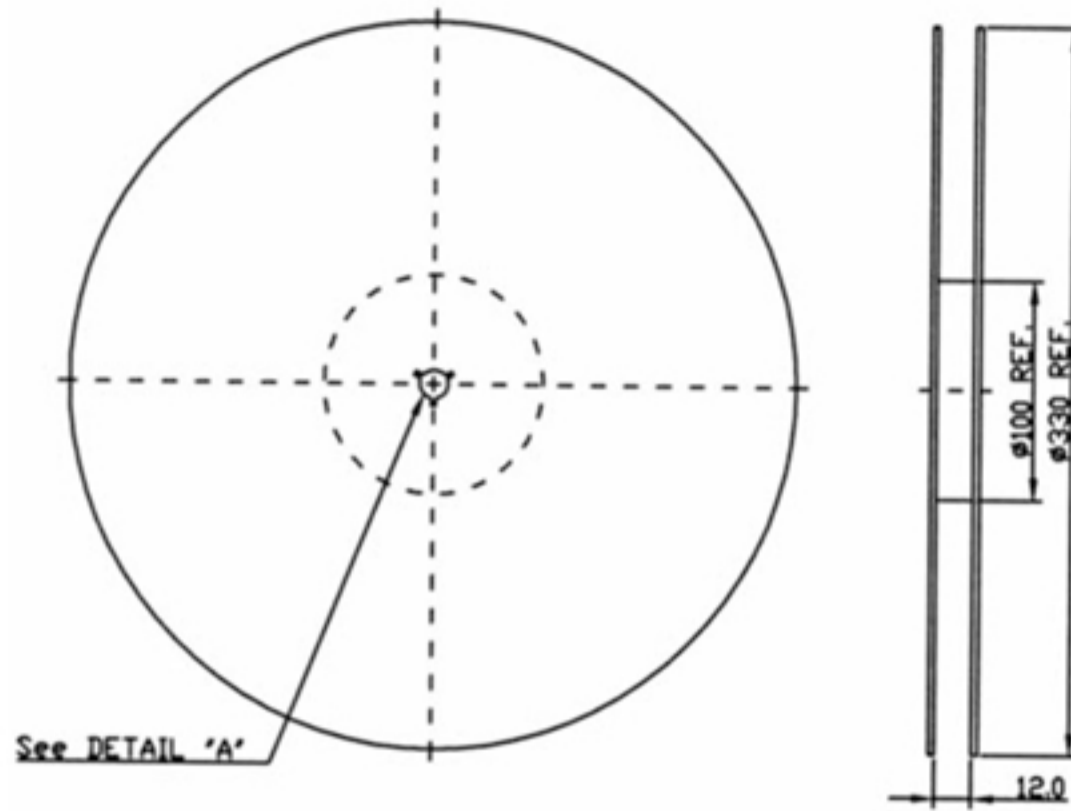
From 50Ω
Network
Analyzer



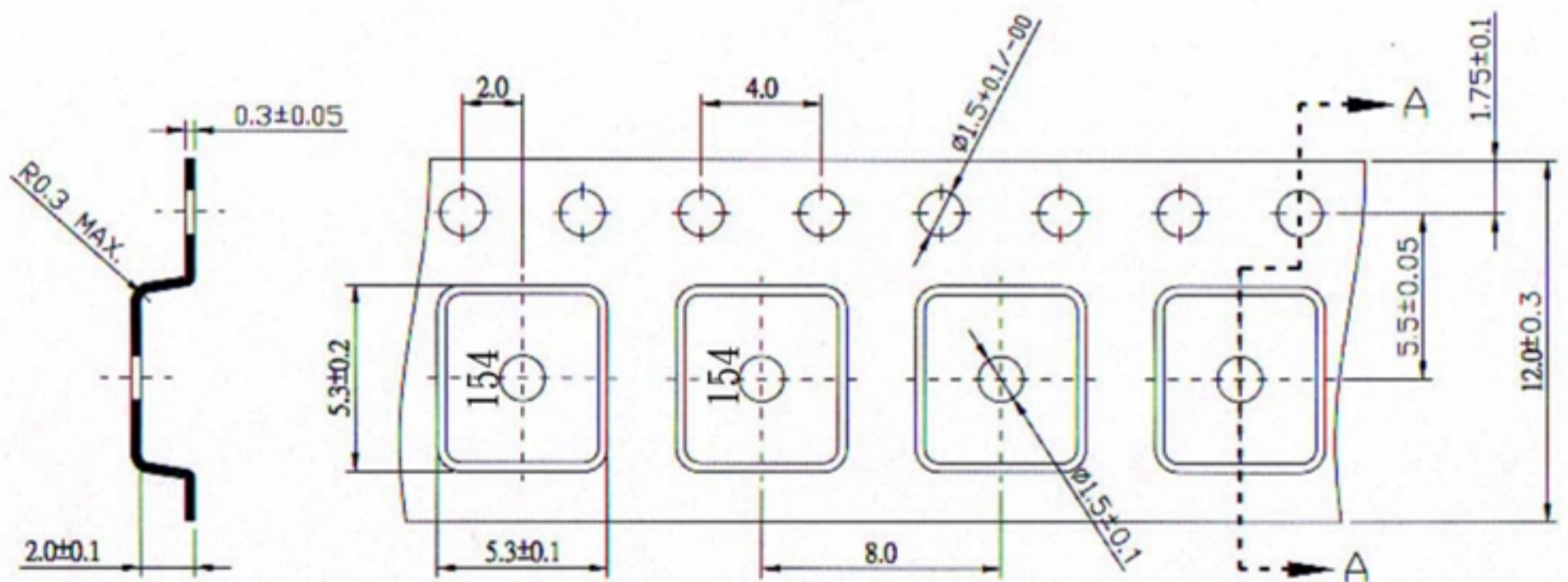
To 50Ω
Network
Analyzer

H. PACKING:

1. REEL DIMENSION



2. TAPE DIMENSION



Section A-A