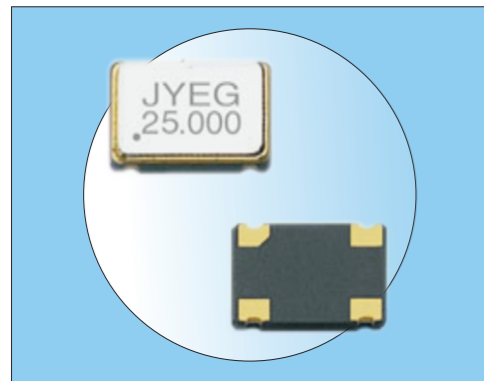


Crystal Clock Oscillators

Clock Oscillator/SMD7050



Features

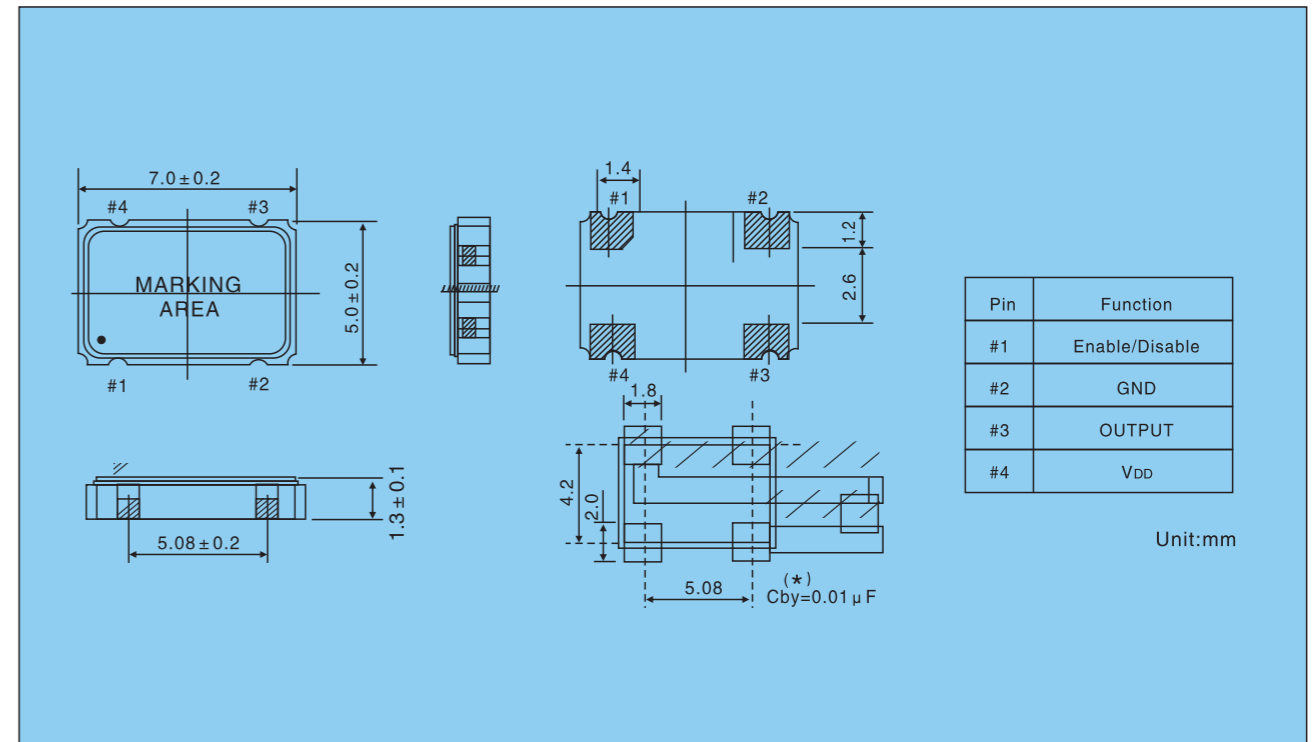
- JYEG part number :JYOD7
- 1.8~3.3V 5V supply voltage
- CMOS/TTL output
- Tri-state function available
- Tape and reel available

TYPICAL SPECIFICATIONS

Type	OSC SMD7050		
Frequency Range	32.768KHz, 1~50MHz:AT1; > 50~160MHz:AT3		
Frequency Stability	$\geq \pm 25\text{ppm}/\geq \pm 30\text{ppm}/\geq \pm 50\text{ppm}/\geq \pm 100\text{pp}$		
Operating Temperature Range	$-20^{\circ}\text{C}\sim 70^{\circ}\text{C}/-40^{\circ}\text{C}\sim 85^{\circ}\text{C}/-40\sim 125^{\circ}\text{C}$		
Output Load	1~5TTL or CMOS 30pF Max		
	5V		1.8~3.3V
	32.68KHZ	$\leq 1\text{mA}$	$\leq 0.5\text{mA}$
	$\leq 35\text{MHz}$	$\leq 12\text{mA}$	$\leq 8\text{mA}$
Input Current	35~ $\leq 50\text{MHz}$	$\leq 16\text{mA}$	$\leq 16\text{mA}$
	50~ $\leq 70\text{MHz}$	$\leq 40\text{mA}$	$\leq 30\text{mA}$
	70~ $\leq 160\text{MHz}$	$\leq 60\text{mA}$	$\leq 50\text{mA}$
Supply Voltage	$5.0\text{V} \pm 10\%/3.3\text{V} \pm 10\%/2.5 \pm 10\%/1.8 \pm 10\%$		
Start-up Time	1~50MHz:1ms Max / > 50~160MHz:3ms Max		
Duty Cycle	40%~60% Normal,45%~55% Tight		
Rise/Fall Time	5ns Max		
Output "0" Level	TTL		CMOS
		0.4V Max	10%VDD Max
Output "1" Level	TTL		CMOS
		2.4V Min	90%VDD Min
Tri-state	Pin1:0.7 VDD Min(High)or open,Output:Enable		
RMS	Pin1:0.3 VDD Max(Low),Output:Disable		
Jitter(12KHZ~20MHZ)	1.0ps Max		
Aging	$\pm 3\text{ppm/year Max}$		
Storage Temperature Range	$-55^{\circ}\text{C}\sim 125^{\circ}\text{C}$		

Crystal Clock Oscillators

OSC SMD7050(JYOD7)



TAPE AND REEL DIMENSIONS

