

SMD ■ B 19-223/R6BHC-C03/2T



Features

- Package in 8mm tape on 7" diameter reel.
- Compatible with automatic placement equipment.
- Compatible with infrared and vapor phase reflow solder process.
- Mono-color type.
- Pb-free.
- The product itself will remain within RoHS compliant version.

Description

- The 19-223 SMD LED is much smaller than lead frame type components, thus enable smaller board size, higher packing density, reduced storage space and finally smaller equipment to be obtained.
- Besides, lightweight makes them ideal for miniature applications. etc.

Applications

- Backlighting in dashboard and switch.
- Telecommunication: indicator and backlighting in telephone and fax.
- Flat backlight for LCD, switch and symbol.
- General use.

Device Selection Guide

Code	Chip Materials	Emitted Color	Resin Color
R6	AlGaInP	Brilliant Red	Water Clear
BH	InGaN	Blue	

Absolute Maximum Ratings (Ta=25)

Parameter	Symbol	Code	Rating	Unit
Reverse Voltage	V_R		5	V
Forward Current	I_F	R6	25	mA
		BH	25	
Peak Forward Current (Duty 1/10 @1KHz)	I_{FP}	R6	60	mA
		BH	100	
Power Dissipation	P_d	R6	60	mW
		BH	95	
Electrostatic Discharge	ESD_{HBM}	R6	2000	V
		BH	150	
Operating Temperature	T_{opr}		-40 ~ +85	
Storage Temperature	T_{stg}		-40 ~ +90	
Soldering Temperature	T_{sol}		Reflow Soldering : 260	for 10 sec.
			Hand Soldering : 350	for 3 sec.

Electro-Optical Characteristics (Ta=25)

Parameter	Symbol	Code	Min.	Typ.	Max.	Unit	Condition
Luminous Intensity	I_v	R6	18.0	-----	36.0	mcd	
		BH	18.0	-----	36.0		
Viewing Angle	$2\theta_{1/2}$		-----	130	-----	deg	
Peak Wavelength	λ_p	R6	-----	632	-----	nm	
		BH	-----	468	-----		
Dominant Wavelength	λ_d	R6	615	-----	625	nm	$I_F=5mA$
		BH	470	-----	475		
Spectrum Radiation Bandwidth		R6	-----	20	-----	nm	
		BH	-----	20	-----		
Forward Voltage	V_F	R6	1.7	-----	2.0	V	
		BH	2.7	-----	3.0		
Reverse Current	I_R	R6	-----	-----	10	μA	$V_R=5V$
		BH	-----	-----	50		

Note:

1. Tolerance of Luminous Intensity: $\pm 11\%$
2. Tolerance of Dominant Wavelength $\pm 1nm$
3. Tolerance of Forward Voltage: $\pm 0.05V$

R6

Bin Range of Luminous Intensity

Bin Code	Min.	Max.	Unit	Condition
A	18.0	26.0	mcd	I _F =5mA
B	26.0	36.0		

Bin Range of Forward Voltage

Bin Code	Min.	Max.	Unit	Condition
1	1.7	1.8	V	I _F =5mA
2	1.8	1.9		
3	1.9	2.0		

BH

Bin Range of Luminous Intensity

Bin Code	Min.	Max.	Unit	Condition
A	18.0	26.0	mcd	I _F =5mA
B	26.0	36.0		

Bin Range of Forward Voltage

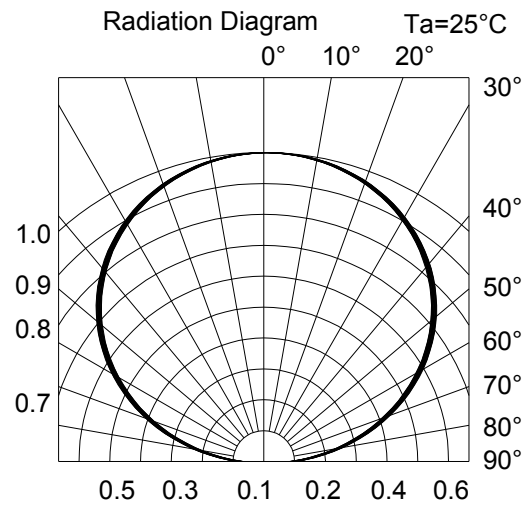
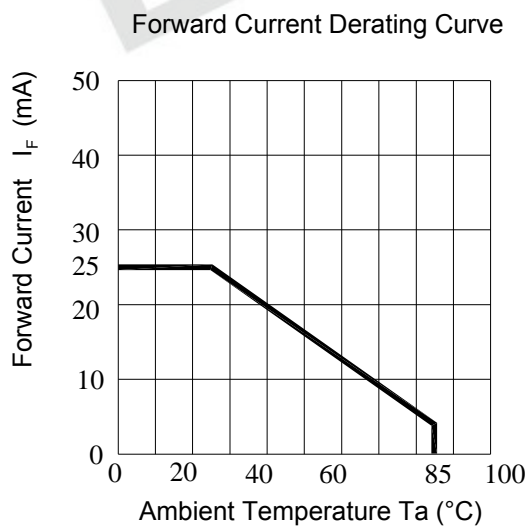
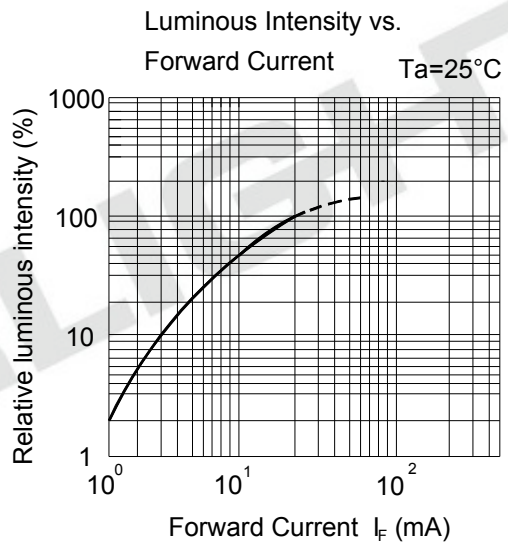
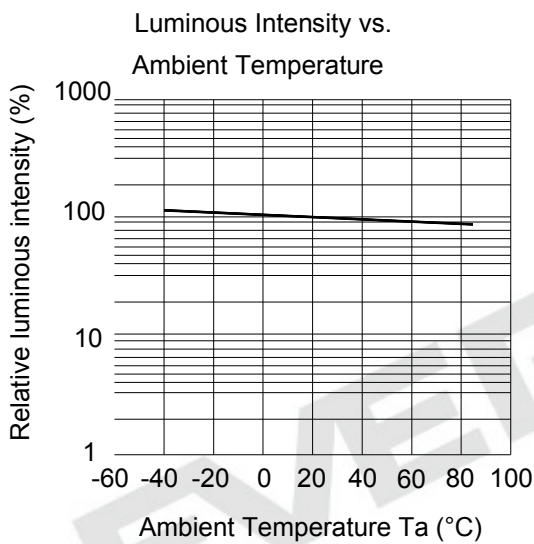
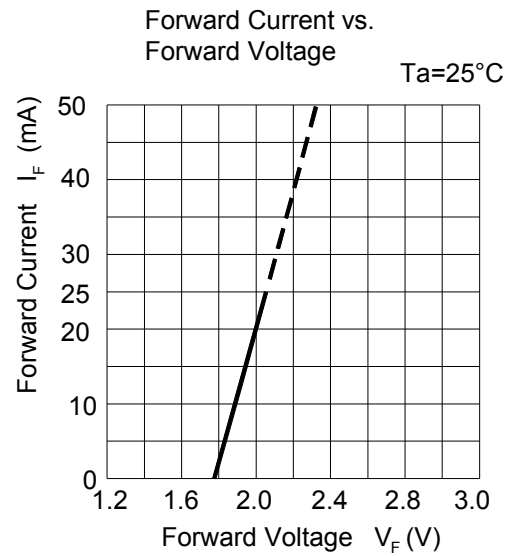
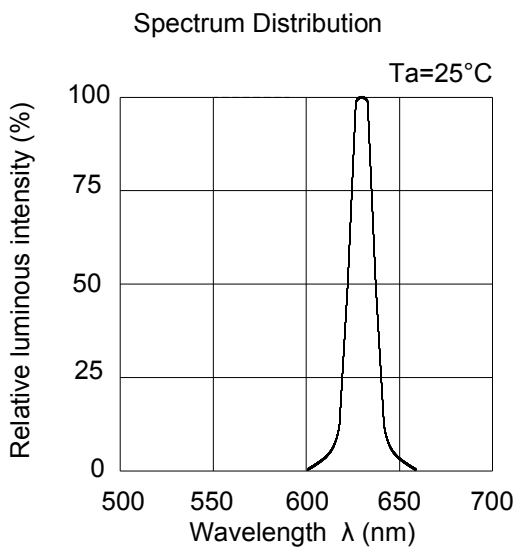
Bin Code	Min.	Max.	Unit	Condition
1	2.7	2.8	V	I _F =5mA
2	2.8	2.9		
3	2.9	3.0		

Note:

1. Tolerance of Luminous Intensity: ±11%
2. Tolerance of Forward Voltage: ±0.05V

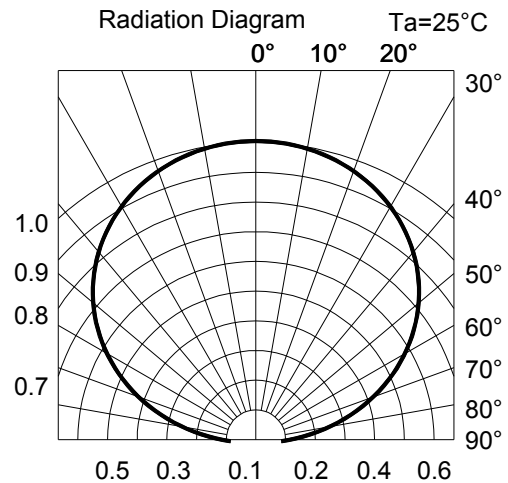
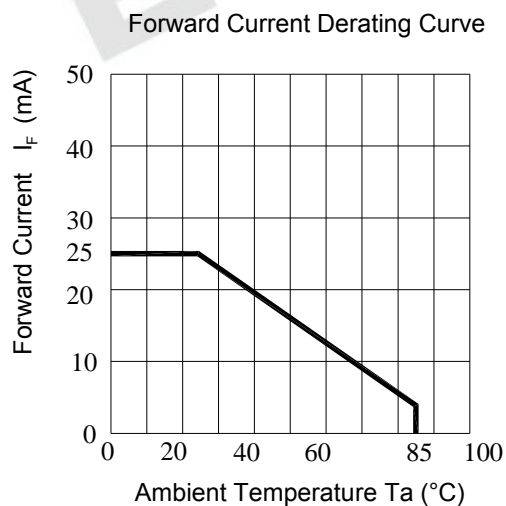
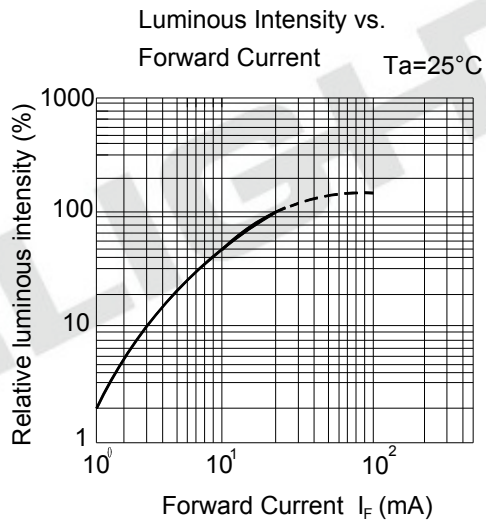
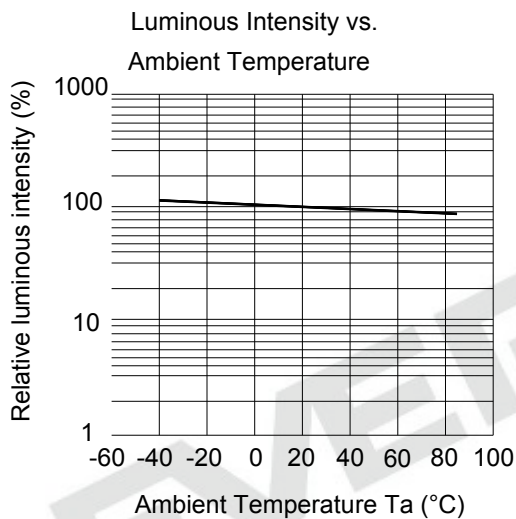
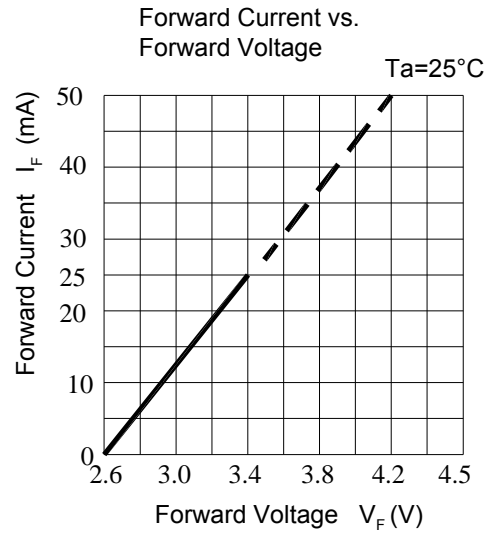
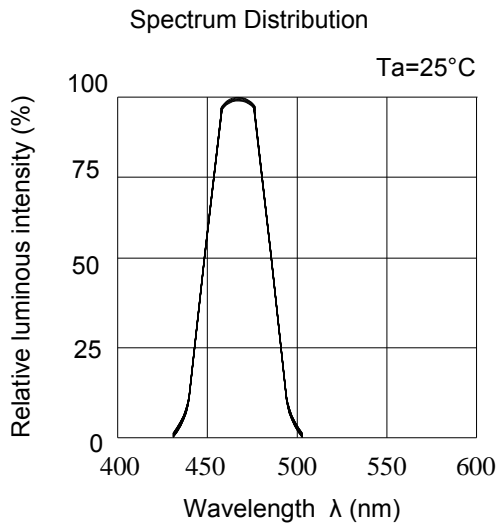
Typical Electro-Optical Characteristics Curves

R6

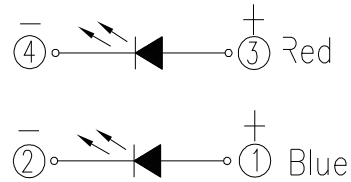
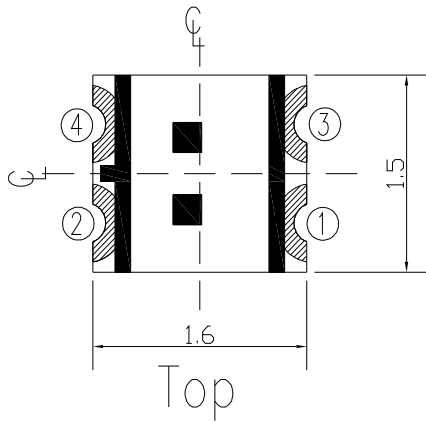


Typical Electro-Optical Characteristics Curves

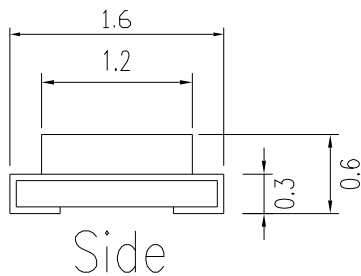
BH



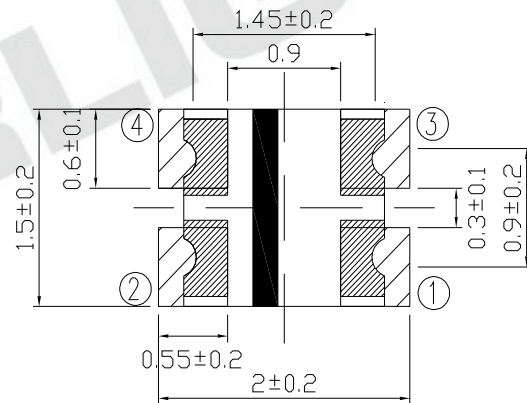
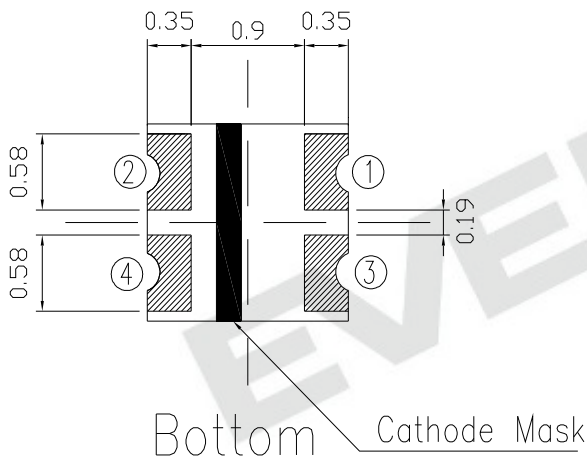
Package Dimension



Polarity



Recommend soldering pad



Suggested pad dimension is just for reference only.
Please modify the pad dimension based on individual need.

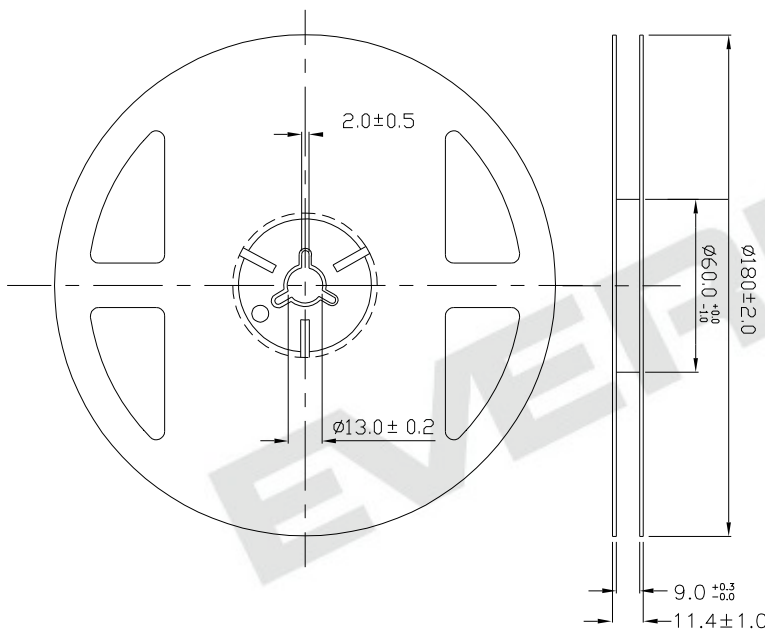
Note: Tolerances unless mentioned ±0.1mm. Unit = mm

Label Explanation



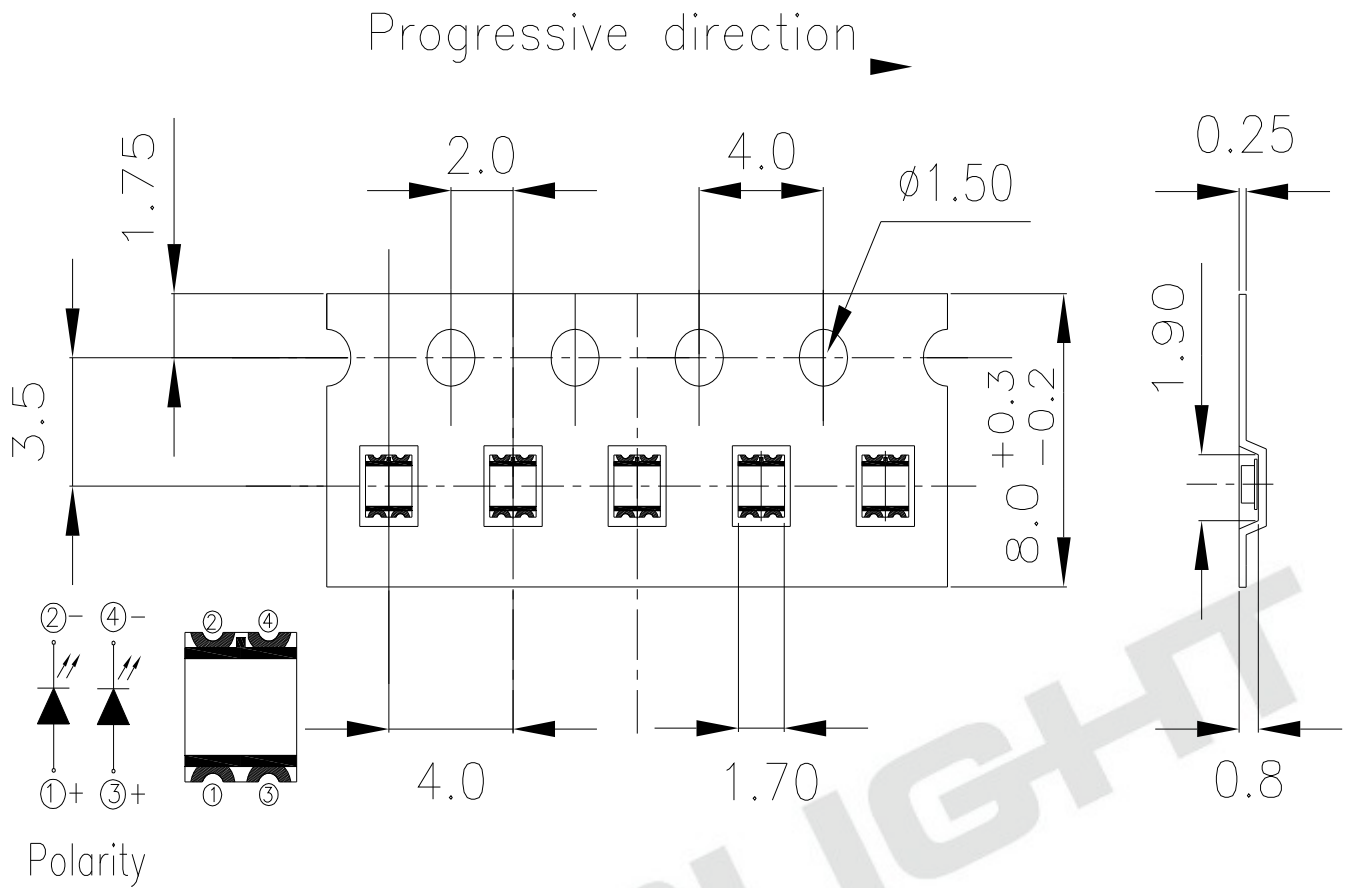
- CPN: Customer's Product Number
- P/N: Product Number
- QTY: Packing Quantity
- CAT: Luminous Intensity Rank
- HUE: Chromaticity Coordinates & Dom. Wavelength Rank
- REF: Forward Voltage Rank
- LOT No: Lot Number

Reel Dimensions



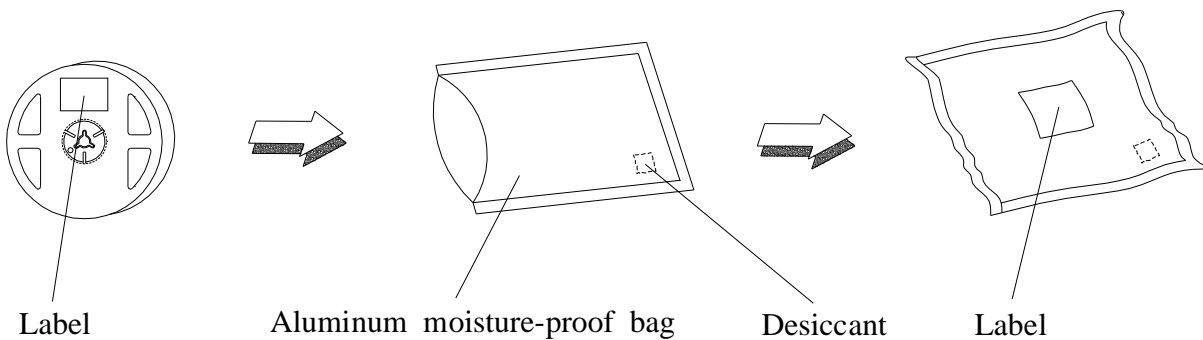
Note: The tolerances unless mentioned is $\pm 0.1\text{mm}$,Unit = mm

Carrier Tape Dimensions: Loaded quantity 2000 PCS per reel



Note: The tolerances unless mentioned is ± 0.1 mm ,Unit = mm

Moisture Resistant Packaging



Precautions For Use

1. Over-current-proof

Customer must apply resistors for protection, otherwise slight voltage shift will cause big current change (Burn out will happen).

2. Storage

2.1 Do not open moisture proof bag before the products are ready to use.

2.2 Before opening the package: The LEDs should be kept at 30 or less and 90%RH or less.

2.3 After opening the package: The LED's floor life is 1 year under 30 or less and 60% RH or less.

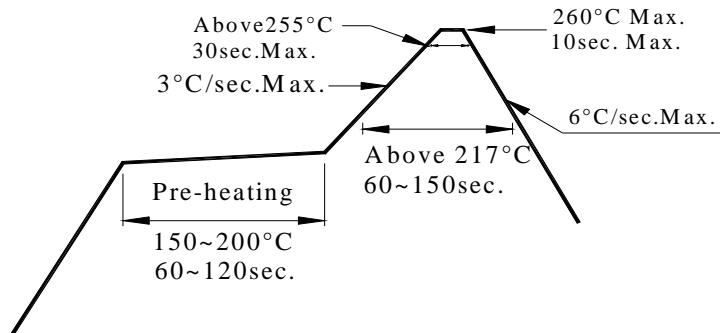
If unused LEDs remain, it should be stored in moisture proof packages.

2.4 If the moisture absorbent material (silica gel) has faded away or the LEDs have exceeded the storage time, baking treatment should be performed using the following conditions.

Baking treatment : 60 ± 5 for 24 hours.

3. Soldering Condition

3.1 Pb-free solder temperature profile



3.2 Reflow soldering should not be done more than two times.

3.3 When soldering, do not put stress on the LEDs during heating.

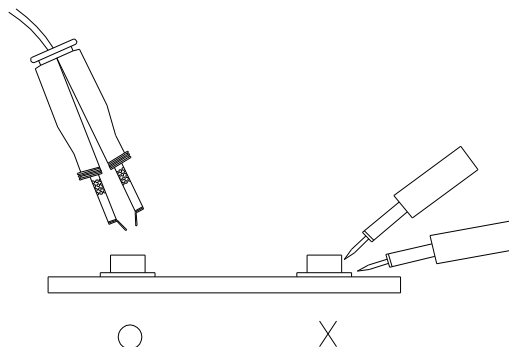
3.4 After soldering, do not warp the circuit board.

4. Soldering Iron

Each terminal is to go to the tip of soldering iron temperature less than 350 for 3 seconds within once in less than the soldering iron capacity 25W. Leave two seconds and more intervals, and do soldering of each terminal. Be careful because the damage of the product is often started at the time of the hand solder.

5. Repairing

Repair should not be done after the LEDs have been soldered. When repairing is unavoidable, a double-head soldering iron should be used (as below figure). It should be confirmed beforehand whether the characteristics of the LEDs will or will not be damaged by repairing.



Application Restrictions

High reliability applications such as military/aerospace, automotive safety/security systems, and medical equipment may require different product. If you have any concerns, please contact Everlight before using this product in your application. This specification guarantees the quality and performance of the product as an individual component. Do not use this product beyond the specification described in this document.

EVERLIGHT