

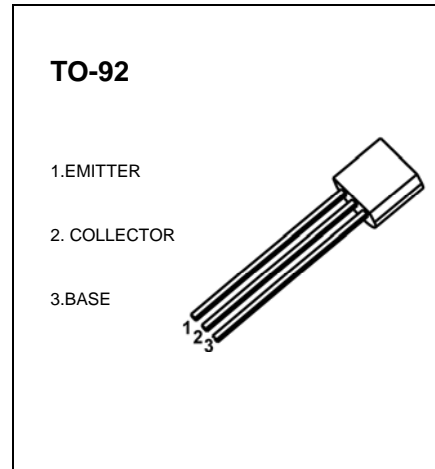


TO-92 Plastic-Encapsulate Transistors

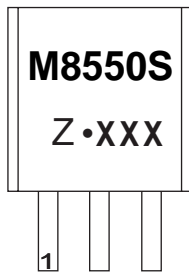
M8550S TRANSISTOR (PNP)

FEATURES

- Power Dissipation

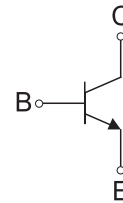


MARKING



M8550S=Device code
 Solid dot= Green molding compound device,
 if none, the normal device
 XXX=Code

Equivalent Circuit



ORDERING INFORMATION

Part Number	Package	Packing Method	Pack Quantity
M8550S	TO-92	Bulk	1000pcs/Bag
M8550S-TA	TO-92	Tape	2000pcs/Box

MAXIMUM RATINGS (T_a=25°C unless otherwise noted)

Symbol	Parameter	Value	Unit
V _{CB0}	Collector-Base Voltage	-40	V
V _{CE0}	Collector-Emitter Voltage	-25	V
V _{EBO}	Emitter-Base Voltage	-6	V
I _c	Collector Current -Continuous	-800	mA
P _c	Collector Power Dissipation	625	mW
T _J , T _{stg}	Operation Junction and Storage Temperature Range	-55~+150	°C

ELECTRICAL CHARACTERISTICS

$T_a=25^\circ\text{C}$ unless otherwise specified

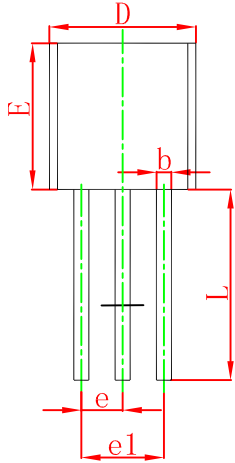
Parameter	Symbol	Test conditions	Min	Max	Unit
Collector-base breakdown voltage	$V(\text{BR})_{\text{CBO}}$	$I_C = -100\mu\text{A}, I_E = 0$	-40		V
Collector-emitter breakdown voltage	$V(\text{BR})_{\text{CEO}}^*$	$I_C = -0.1\text{mA}, I_B = 0$	-25		V
Emitter-base breakdown voltage	$V(\text{BR})_{\text{EBO}}$	$I_E = -100\mu\text{A}, I_C = 0$	-6		V
Collector cut-off current	I_{CBO}	$V_{\text{CB}} = -35\text{V}, I_E = 0$		-0.1	μA
Collector cut-off current	I_{CEO}	$V_{\text{CE}} = -20\text{V}, I_B = 0$		-0.1	μA
DC current gain	$h_{\text{FE}(1)}$	$V_{\text{CE}} = -1\text{V}, I_C = -5\text{mA}$	45		
	$h_{\text{FE}(2)}$	$V_{\text{CE}} = -1\text{V}, I_C = -100\text{mA}$	80	400	
	$h_{\text{FE}(3)}$	$V_{\text{CE}} = -1\text{V}, I_C = -800\text{mA}$	40		
Collector-emitter saturation voltage	$V_{\text{CE}(\text{sat})}$	$I_C = -800\text{mA}, I_B = -80\text{mA}$		-0.5	V
Base-emitter saturation voltage	$V_{\text{BE}(\text{sat})}$	$I_C = -800\text{mA}, I_B = -80\text{mA}$		-1.2	V
Transition frequency	f_T	$V_{\text{CE}} = -6\text{V}, I_C = -20\text{mA}$ $f = 30\text{MHz}$	150		MHz

*Pulse Test: pulse width $\leq 300\mu\text{s}$, duty cycle $\leq 2\%$.

CLASSIFICATION OF $h_{\text{FE}(2)}$

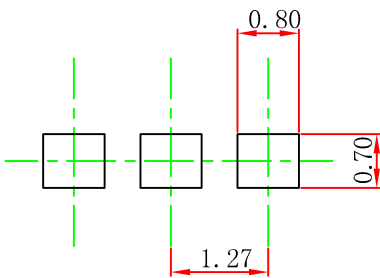
Rank	B	C	D	D3
Range	80-160	120-200	160-300	300-400

TO-92 Package Outline Dimensions



Symbol	Dimensions In Millimeters		Dimensions In Inches	
	Min	Max	Min	Max
A	3.300	3.700	0.130	0.146
A1	1.100	1.400	0.043	0.055
b	0.380	0.550	0.015	0.022
c	0.360	0.510	0.014	0.020
D	4.300	4.700	0.169	0.185
D1	3.430		0.135	
E	4.300	4.700	0.169	0.185
e	1.270 TYP		0.050 TYP	
e1	2.440	2.640	0.096	0.104
L	14.100	14.500	0.555	0.571
Φ		1.600		0.063
h	0.000	0.380	0.000	0.015

TO-92 Suggested Pad Layout



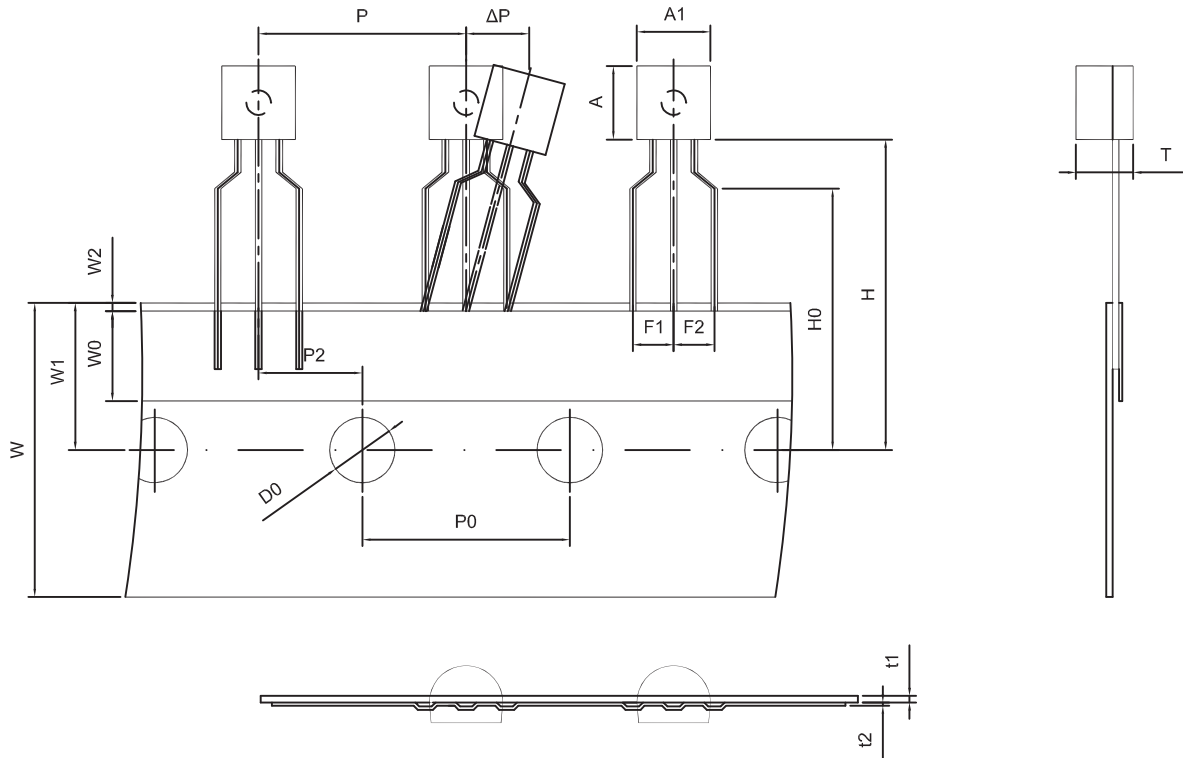
Note:

1. Controlling dimension: in millimeters.
2. General tolerance: $\pm 0.05\text{mm}$.
3. The pad layout is for reference purposes only.

NOTICE

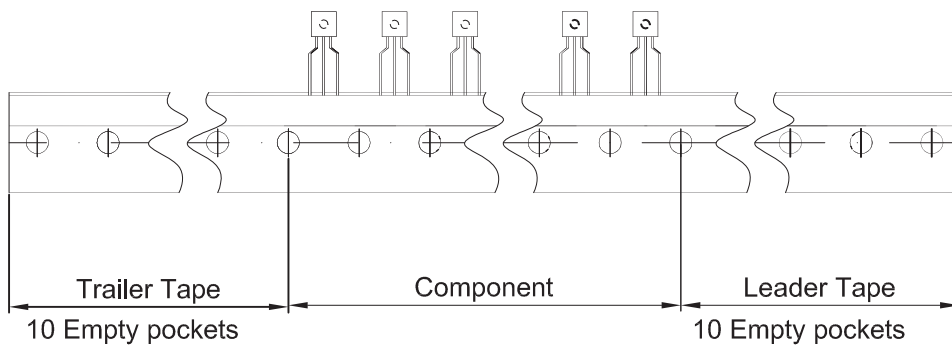
JSCJ reserves the right to make modifications, enhancements, improvements, corrections or other changes without further notice to any product herein. JSCJ does not assume any liability arising out of the application or use of any product described herein.

TO-92 Tape and Reel



Dimensions are in millimeter

A1	A	T	P	P0	P2	F1	F2	W
4.5	4.5	3.5	12.7	12.7	6.35	2.5	2.5	18.0
W0	W1	W2	H	H0	D0	t1	t2	ΔP
6.0	9.0	1.0 MAX.	19.0	16.0	4.0	0.4	0.2	0



Package	Box	Box Size(mm)	Carton	Carton Size(mm)
TO-92	2000 pcs	333×162×43	20,000 pcs	350×340×250