

HSF

NOTES:

Current Rating:10A
 Voltage Rating:150V
 Contact Resistance:8milliohm Max
 Withstand Voltage:AC/DC 1000V
 Insulation Resistance:500Megohm Min
 Screw Torque: 2.0 lbf.in
 Wire range: 16AWG-26AWG

Housing Material:PBT UL94V-0
 Screw:Steel
 Contact:Brass
 Spring:SUS301

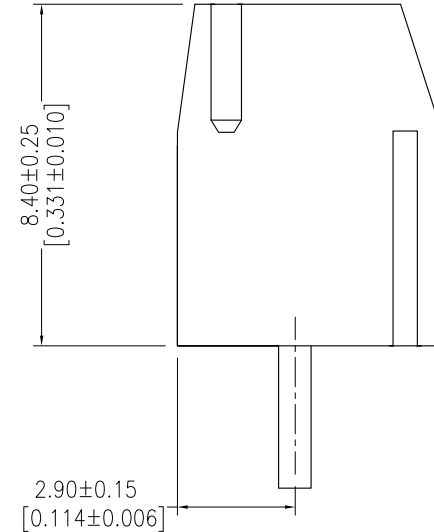
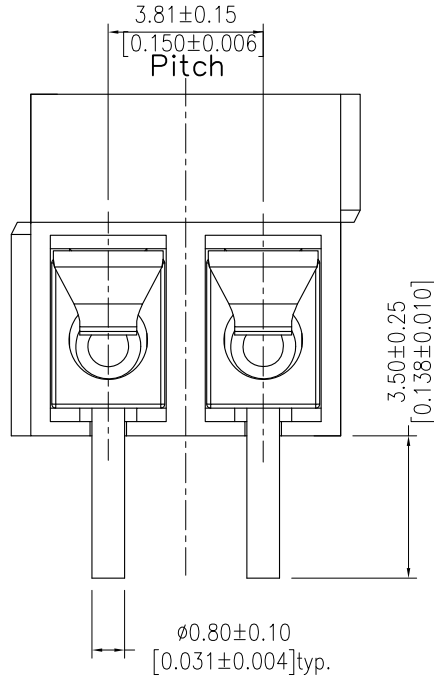
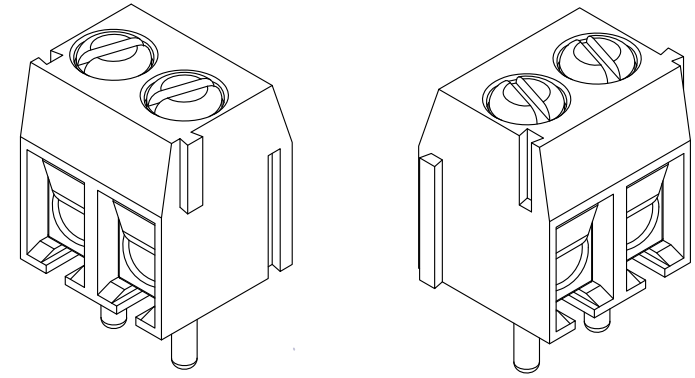
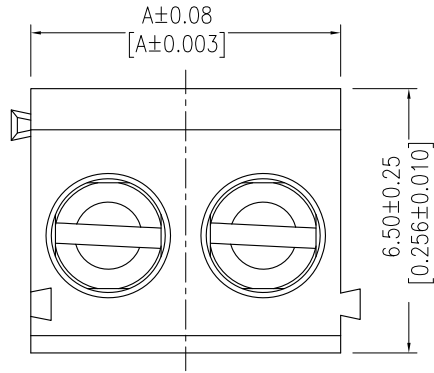
Ordering Information:

A H 381 - 084 S XX U SN 1 N

Pitch	Housing High	No.of Pins	Color	Contact Plated
381=3.81	084=8.40	02-20P	U=Blue	SN=Bright Tin

NOTE:
 4P=2P+2P
 5P=2P+3P
 6P=3P+3P
 7P=2P+2P+3P
 8P=3P+3P+2P
 9P=3P+3P+3P
 10P=3P+3P+2P+2P
 11P=3P+3P+3P+2P
 12P=3P+3P+3P+3P
 13P=3P+3P+3P+2P+2P
 14P=3P+3P+3P+3P+2P
 15P=3P+3P+3P+3P+3P
 16P=3P+3P+3P+3P+2P+2P
 18P=3P+3P+3P+3P+3P+3P
 19P=3P+3P+3P+3P+3P+2P+2P
 20P=3P+3P+3P+3P+3P+3P+2P

PINS	DIM A
2P	7.62
3P	11.43



REV	DATE	MODIFICATION DESCRIPTION	CHANGE	OPERATION		DRAW	DATE	SCALE	FIT	PART NO.
				X.X	±0.40					
A1	16/12/14	ADD NOTE	△A	X.XX	±0.25	Surong Xu	16/12/14	UNIT	mm	AH381-084SXXUSN1N
A0	13/01/14	NEW	—	X.XXX	±0.15	CHECK	DATE	SIZE	A4	
				Angle	± 3'	APPROVE	DATE	SHEET	1/1	TITLE:
				DIM	TOL			PROJ.	⊕	Customer NO.

3.81mm Pitch Euro Terminal Blocks
 With Wire Protection 180° DIP