

HSF

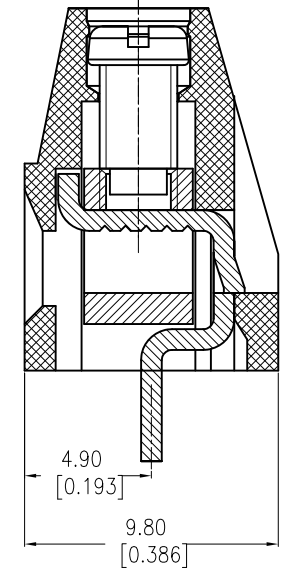
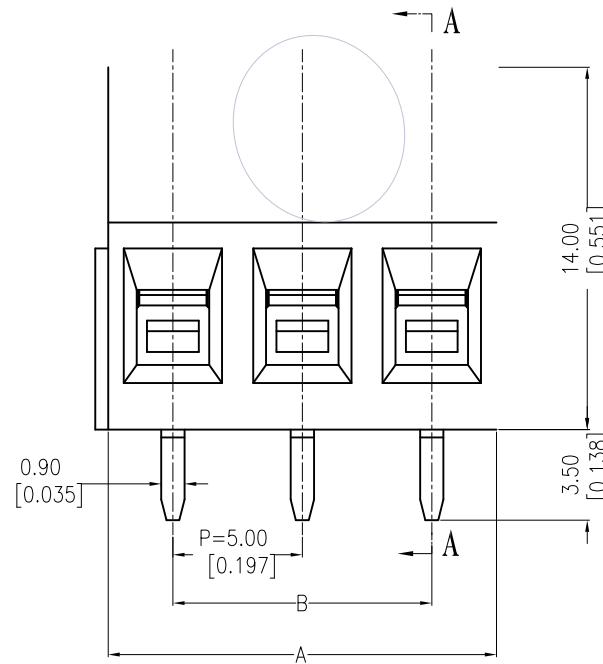
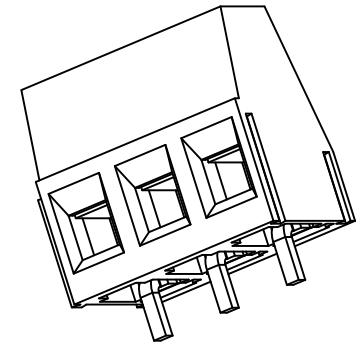
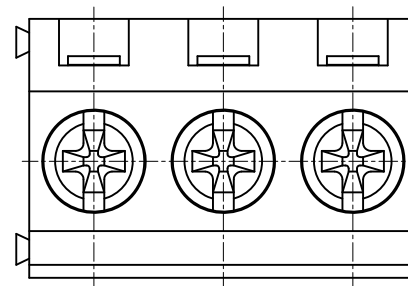
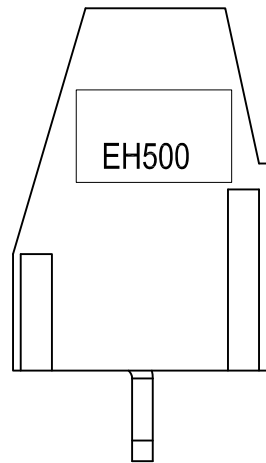
NOTES:
 Current Rating:15A
 Voltage Rating:300V
 Contact Resistance:8milliohm Max
 Withstand Voltage:AC2500V
 Insulation Resistance:1000Megohm Min
 Screw Torque: 4.4 lbf.in
 Wire range: 12-30AWG
 Operation Temperature:-40°C to +105°C

Housing Material:PA66 UL94V-0
 Screw:Steel
 Pin Block:Brass
 Cite Feet:Brass

Ordering Information:

E H 500 - 140 S XX A SM 1

Pitch 500=5.00 Housing High 140=14.00 No.of Pins 02-20P Color A=Green Contact Plated SM=Matte Tin



SECTION A-A

△△		
3P	15.00± 0.25	10.00± 0.20
2P	10.00± 0.20	5.00± 0.15
PIN	A	B

REV	DATE	MODIFICATION DESCRIPTION	CHANGE	OPERATION		DRAW	DATE	SCALE	FIT	PART NO.
				X.X	±0.40			UNIT	mm	
A2	2013/04/25	Modify	△△	X.XX	±0.25	Tsingsn	2013/04/25	UNIT	inch	EH500-140SXXASM1 △△
A1	2012/12/07	MODIFY EH500-00-XX-A-SM → EH500-140SXXASM1	△△	X.XXX	±0.15	CHECK	DATE	SIZE	A4	
A0	2011/06/04	NEW	—	Angle	± 3'	APPROVE	DATE	SHEET	1/1	Customer NO.
				DIM	TOL			PROJ.	⌀	