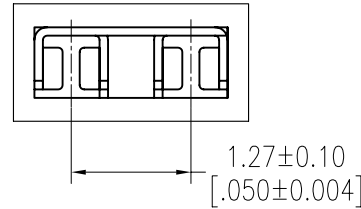
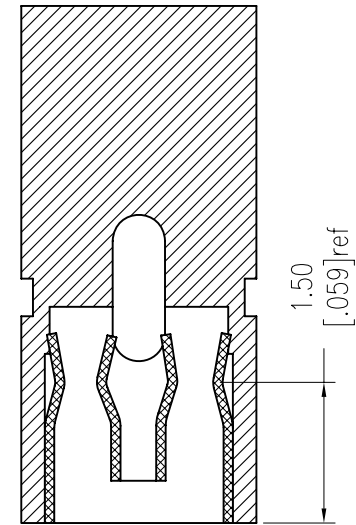
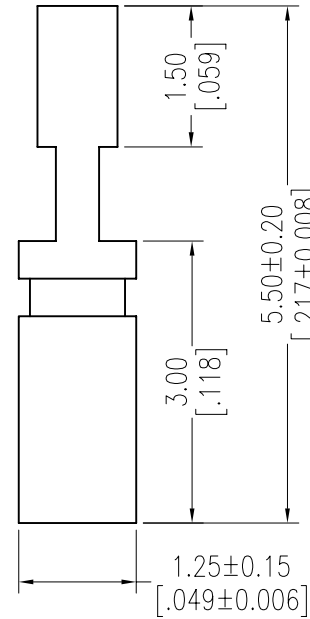
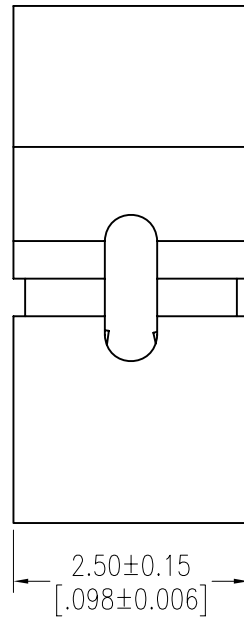


HSF

NOTES:
 Current Rating: 1.0AMP
 Contact Resistance: 30mΩ Max
 Withstand Voltage: 100V AC/DC
 Insulation Resistance: 500MΩ Min
 Operation Temperature: -40°C to +105°C

Contact Material: Phosphor Bronze
 Contact plating: Au over Ni
 Insulator Material: PBT+30%G.F UL94V-0



Ordering Information

3732 - 55 01 O S0 X 0 1

Housing shape	Contact Plating	Colour
O=open	S0=Gold Flash/Ni	B=Black (Std) R=Red Y=Yellow N=Green U=Blue

				OPERATION	DRAW	DATE	SCALE	FIT	PART NO.
				X.X ±0.40	JYHuang	2012/12/10	UNIT	mm	3732-5501OS0X01
				X.XX ±0.25	CHECK	DATE	SIZE	A4	TITLE:
				X.XXX ±0.15			SHEET	1/1	1.27mm MINI JUMPER OPEN TYPE
A0	2012/12/10	NEW	-----	Angle ± 3'	APPROVE	DATE	PROJ.	⊕	Customer NO.
REV	DATE	MODIFICATION DESCRIPTION	CHANGE	DIM TOL					