

HSF

NOTES:
 Rated Current: 0.5~1.0 AMP. Δ
 Contact Resistance: 25m Ω Max.
 Withstand Voltage: 500V
 Insulation Resistance: 10000M Ω Min.
 Operation Temperature: -55 $^{\circ}$ C to +125 $^{\circ}$ C

Contact Material: Phosphor Bronze
 Contact Plating: Sn and Au over Ni
 Tail Material: Phosphor Bronze
 Tail Plating: Sn over Ni
 Main Body Material: LCP

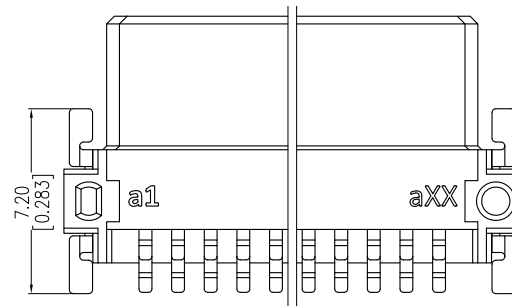
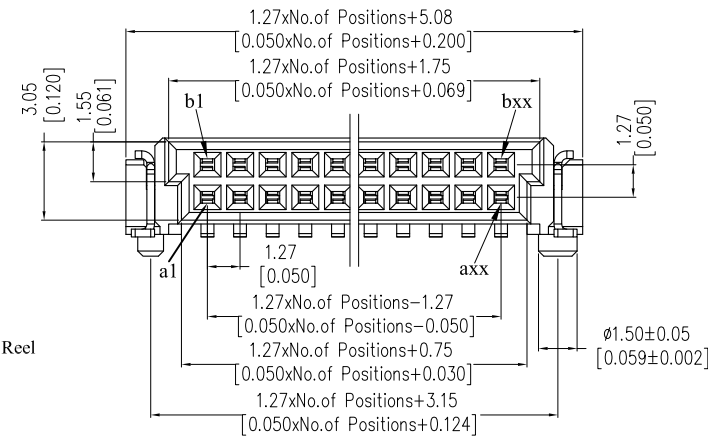
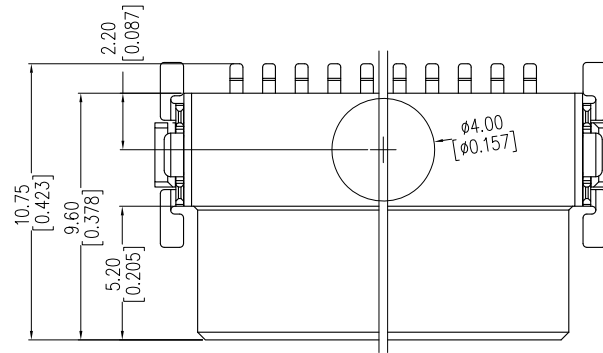
Ordering Information

3910- S XXX - 096 Z XX W R 1

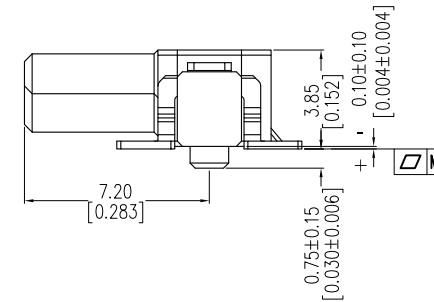
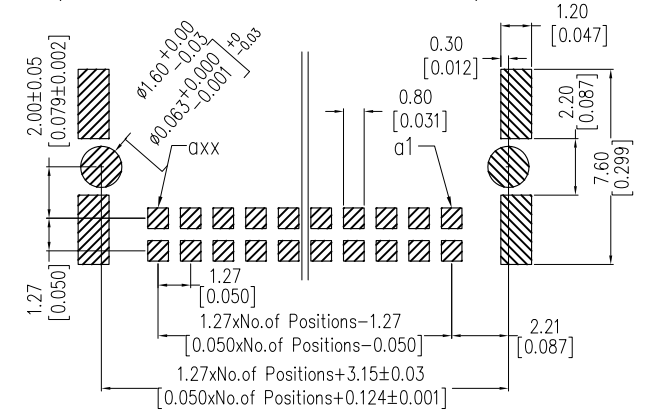
No. of Pins
 010: 10 Pin
 020: 20 Pin
 }
 100: 100 Pin

Plating
 S0=Gold Flash/Tin
 S1=3U" Au/Tin
 S4=15U" Au/Tin
 S5=30U" Au/Tin

Package
 R: Tape & Reel



Recommended P.C.B Layout(Top Side)
 (PCB BOARD TOLERANCE \pm 0.05)



PIN	M
10~40PIN	0.12
42~100PIN	0.15

REV	DATE	MODIFICATION DESCRIPTION	CHANGE	OPERATION	DRAW	DATE	SCALE	PART NO.
A2	2018/05/04	Modify	---	x.x ±0.40	Ding	2018/05/04	1:1	3910-SXXX-096ZXXWR1
A1	2017/10/31	Modify	---	x.xx ±0.25	CHECK	DATE	UNIT	TITLE:
A0	2017/05/17	NEW	---	x.xxx ±0.15	APPROVE	DATE	SIZE	1.27Pitch SDC CONNECTORS FEMALE "E" TYPE (TYPE Q)
				Angle ± 3'			SHEET	Customer NO.
				DIM TOL			PROJ.	